

QFN-20 Socket to DIP-20 Adapter (4 x 4 mm body, 0.5 mm pitch)

Product Highlights

RoHS Compliant
Comes fully assembled
Immersion Gold PCB Finish
Gold plated DIP pins

Specifications

Top-side socket type:

PCB construction:

PCB operating temperature range:

PCB reflow maximum temperature:

PCB Assembly standard:

Bottom Side DIP pin spacing:

Proto-Advantage PA-SOCKET-QFN-20-0.5

FR-4 UL94V-0

-40°C to +130°C

+260°C

IPC-A-610 Class II

0.1" (2.54mm) pitch, 0.3" (7.62mm) row-to-row

Product Images

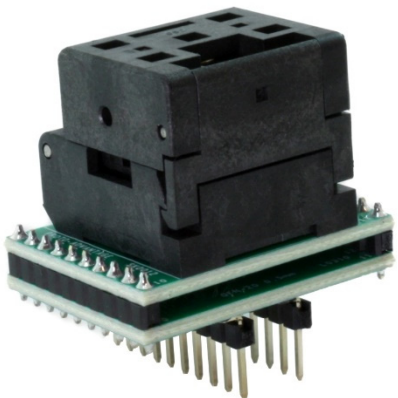


Image 1: Top View of Socket Adapter

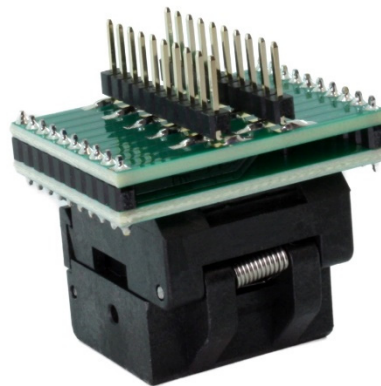


Image 2: Bottom View of Socket Adapter

Top Side Socket Drawing

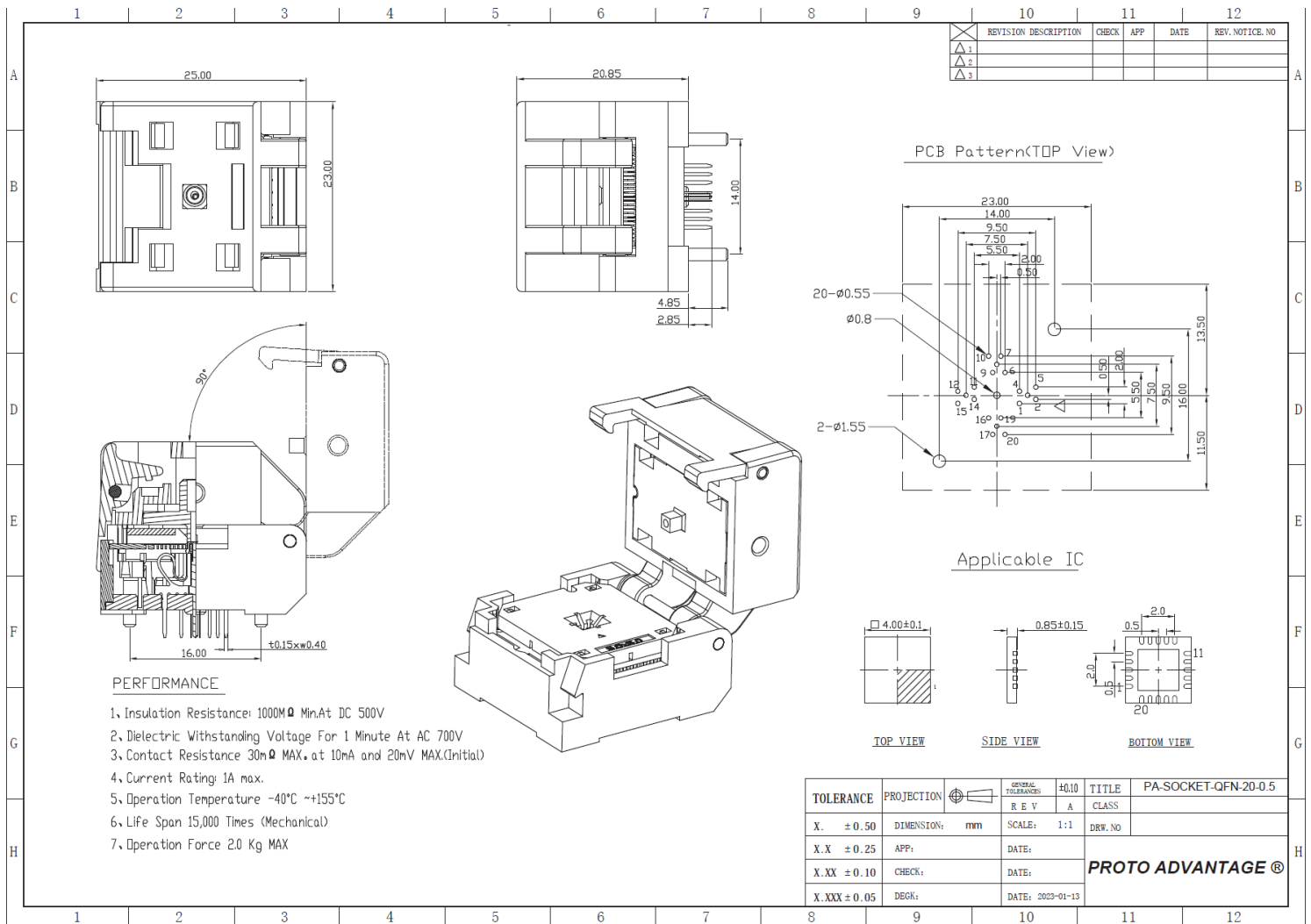


Image 3: Proto-Advantage PA-SOCKET-QFN-20-0.5 Socket Drawing