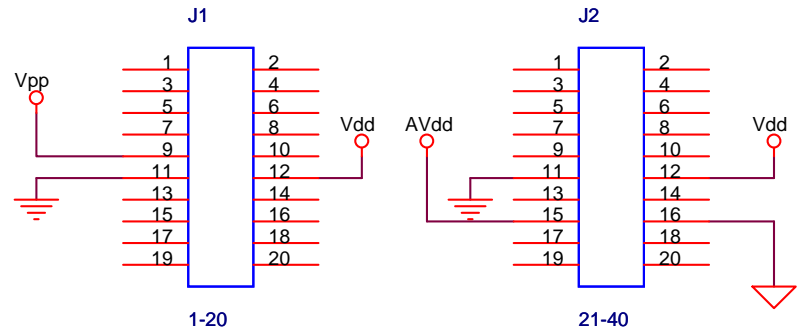


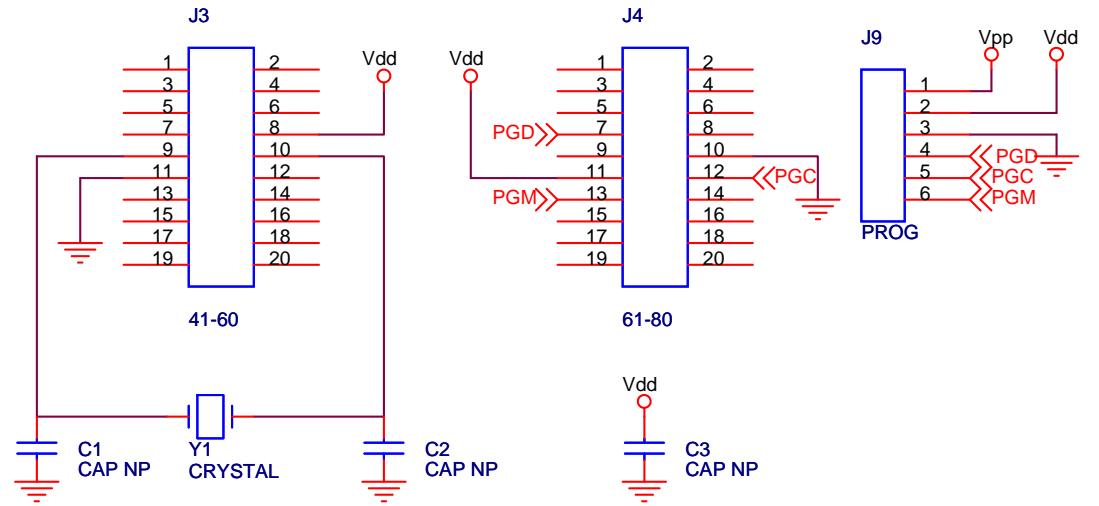
Jumpers to tie Vss to Avss.



Jumpers to tie Vdd to Avdd.



Pins closest to outside of PCB are even.
Pins closest to IC are odd.



Title		
PICDAUT6480TQFP		
Size	Document Number	Rev
A	20120509-1	1A
Date:	Wednesday, May 09, 2012	Sheet 1 of 1