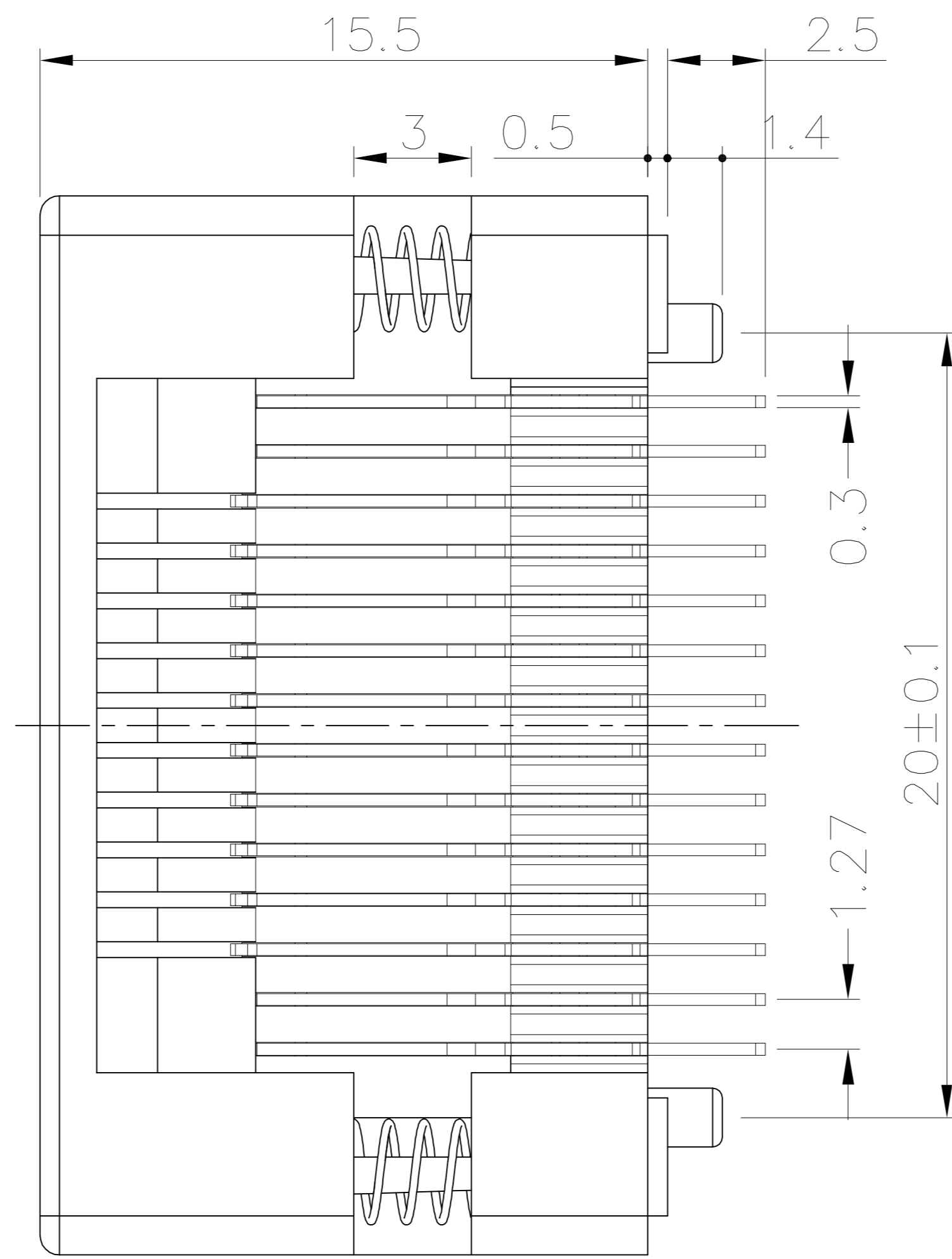
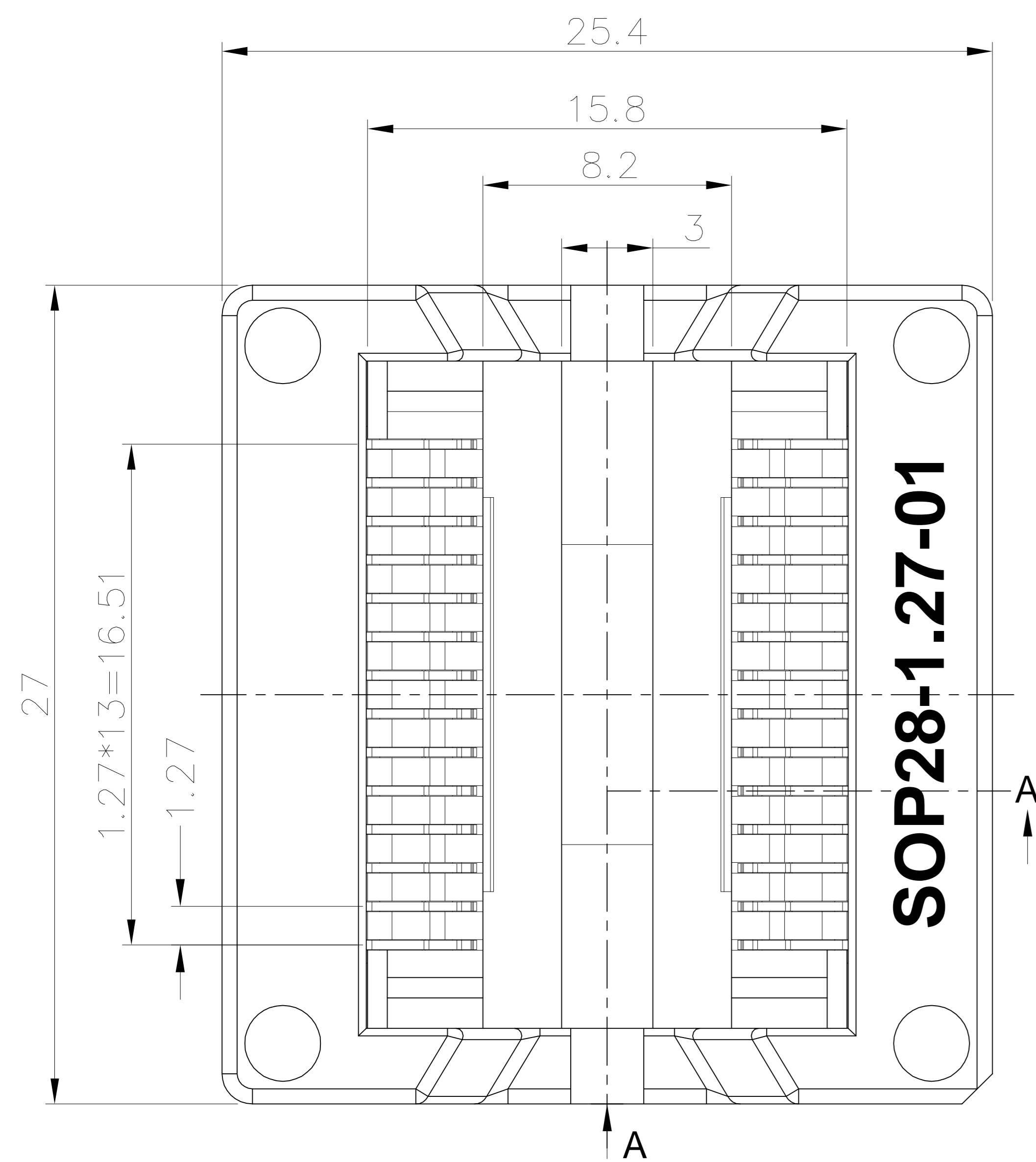
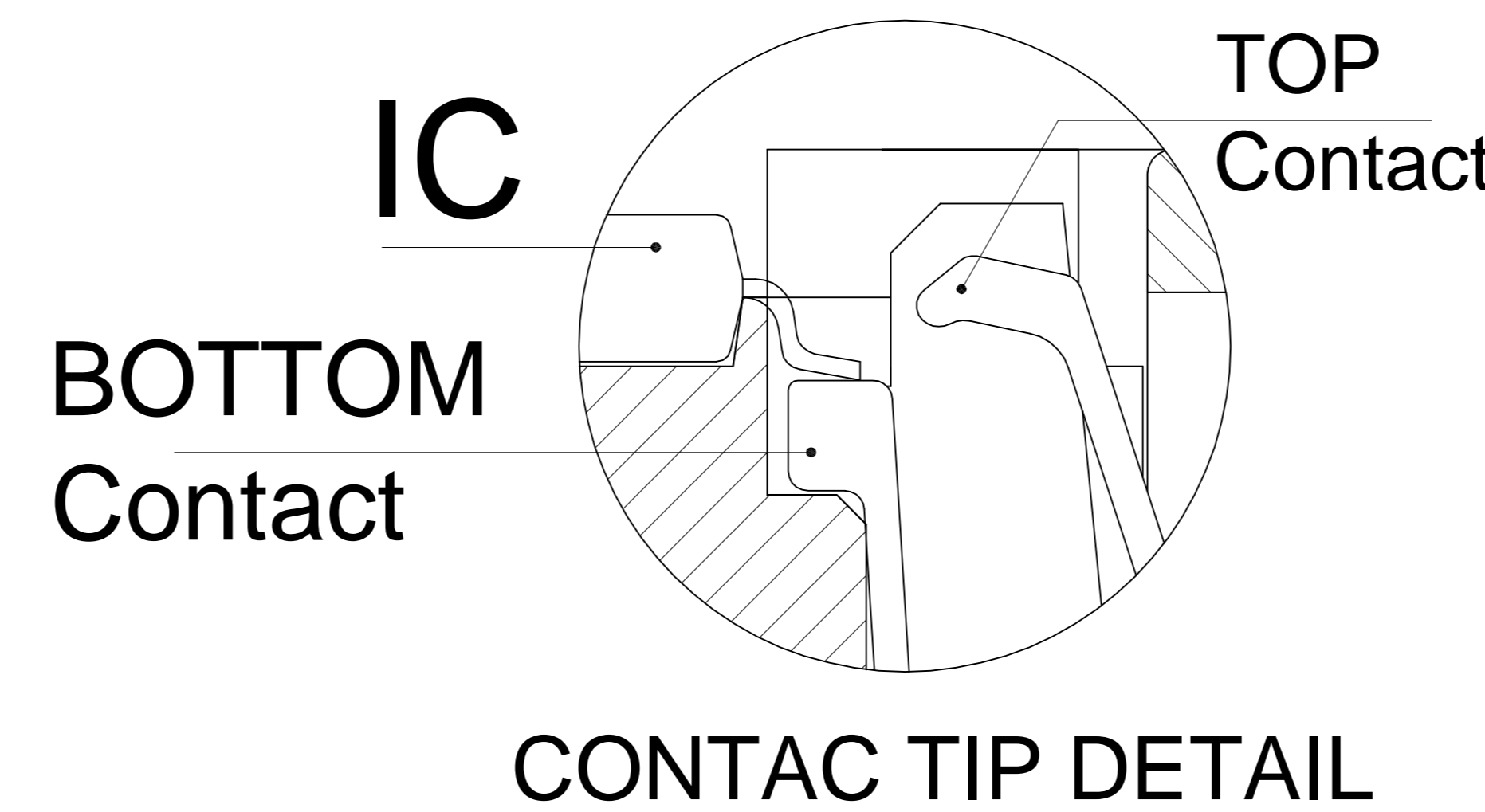
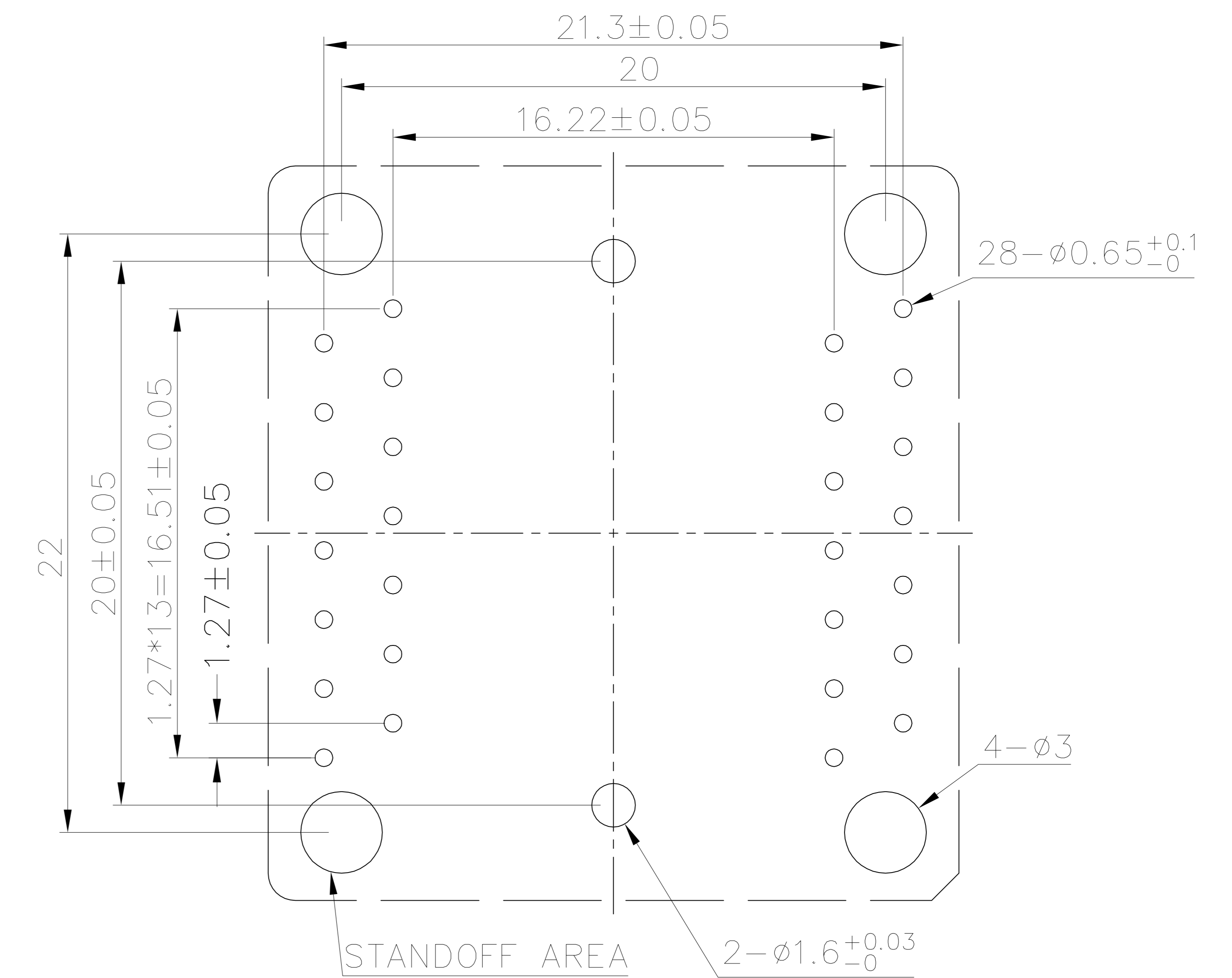


REVISION	DESCRIPTION	CHECK APP	DATE	REV.NO
△1				
△2				
△3				



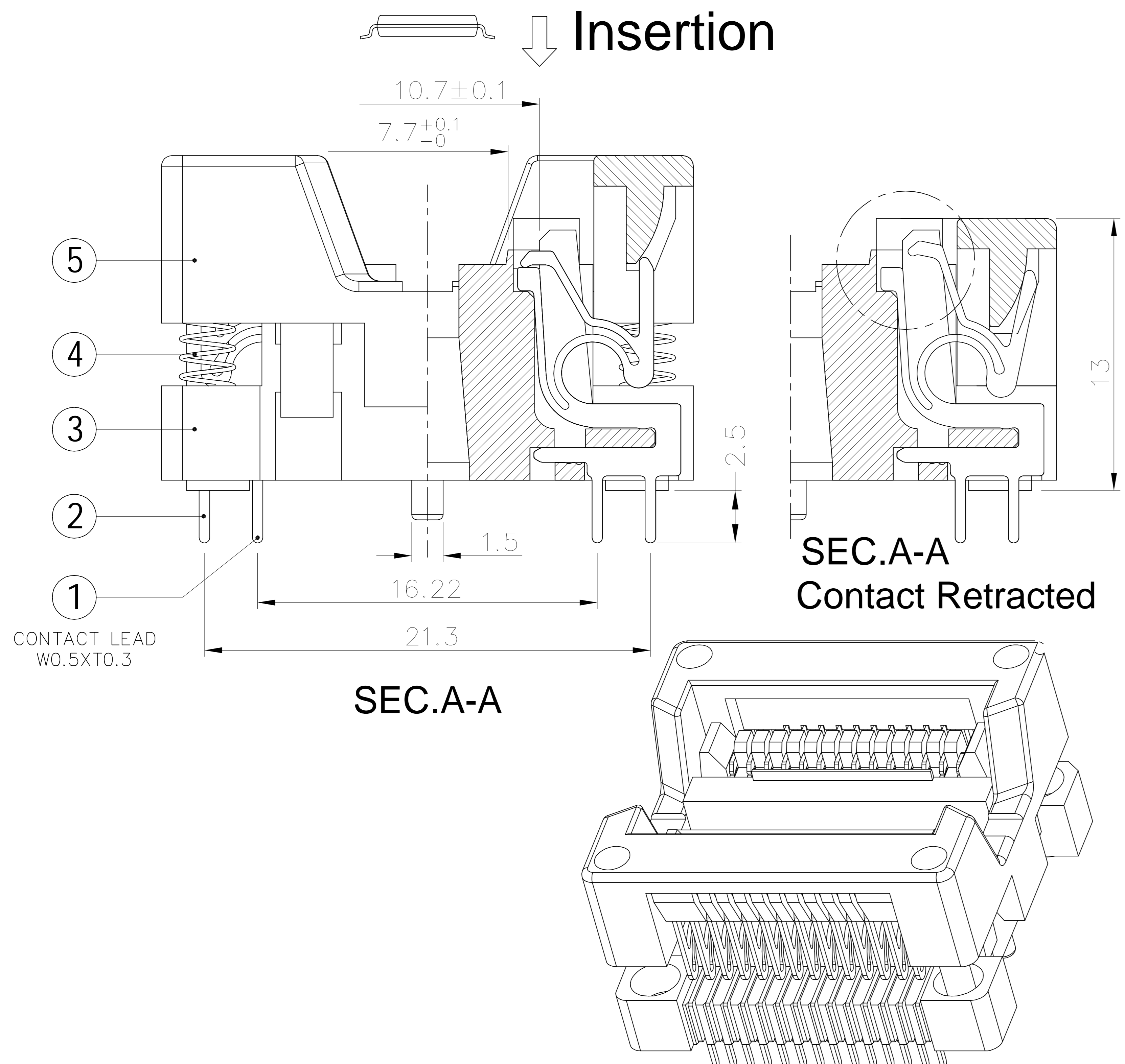
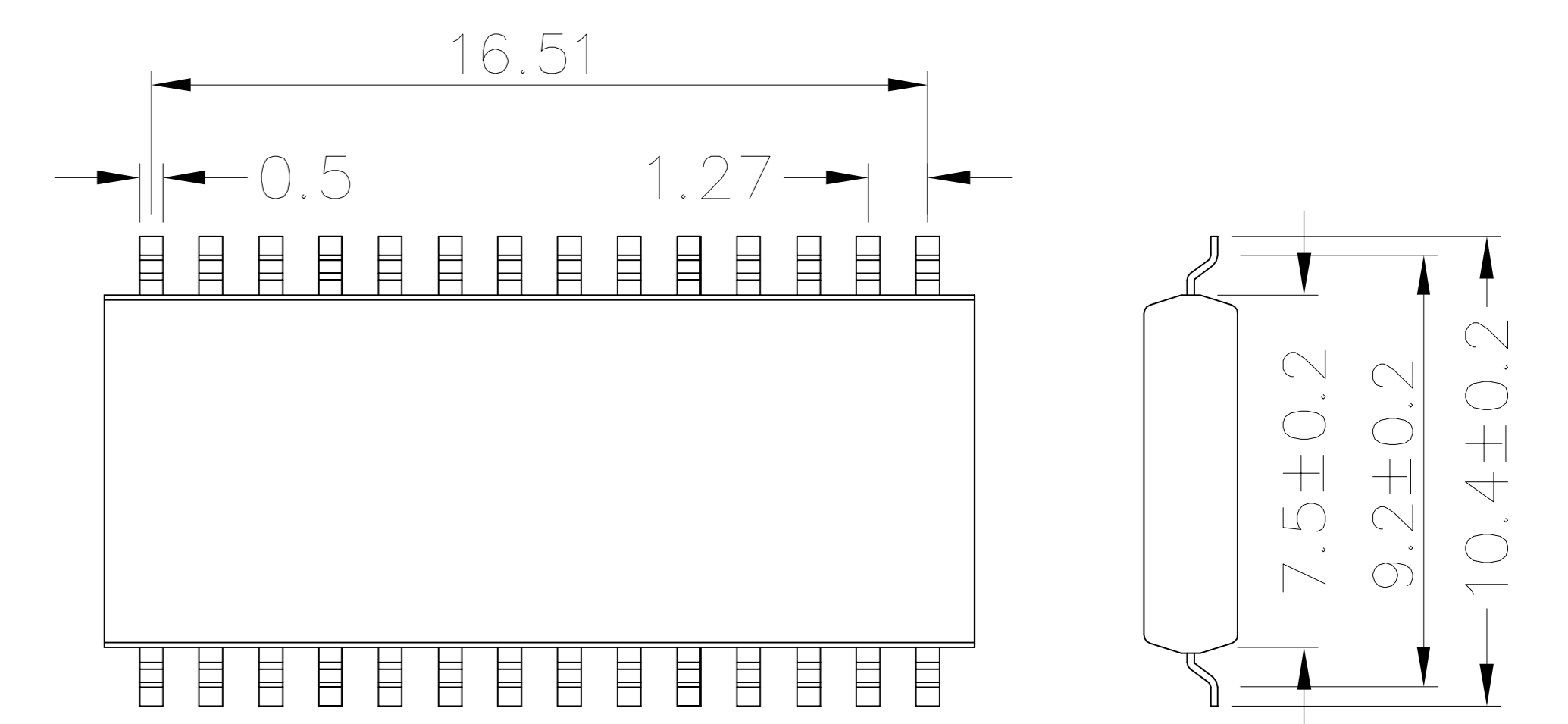
**PCB PATTERN (TOP VIEW)**



**PERFORMANCE**

- Insulation Resistance: 1000mΩ Min. At DC 500V
- Dielectric Withstanding Voltage For 1 Minute At AC 700V
- Contact Resistance 30mΩ MAX. at 10mA and 20mV MAX.(Initial)
- Current Rating: 1A max.
- Operation Temperature -55°C ~+175°C
- Contact Force 5-8g Per Pin (Normal)
- Life Span 15,000 Times (Mechanical)
- Operation Force 1.0 Kg MAX

**APPLICABLE IC**



No	Part Number	Name	Material	Q/ty	Note
5	SOP-28-U01-002	COVER	PEI/PES	1	BLACK
4	30-B-4515X	SPRING	SUS	4	FOR COVER
3	SOP-28-U01-001	BASE	PEI/PES	1	BLACK
2	SOP-28-MSBR-02	CONTACT	BeCu	14	Au PLATING
1	SOP-28-MSBR-01	CONTACT	BeCu	14	Au PLATING

PROJECTION		GENERAL TOLERANCES ±0.10	TITLE	PA-SOCKET-SOICW7-28-1,27
DIMENSION:	mm	REVA	CLASS	
APP:		SCALE: 1:1	DRW. NO	
CHECK:		DATE:	<b>PROTO ADVANTAGE®</b>	
DEGK:		DATE: 2024-08-23		