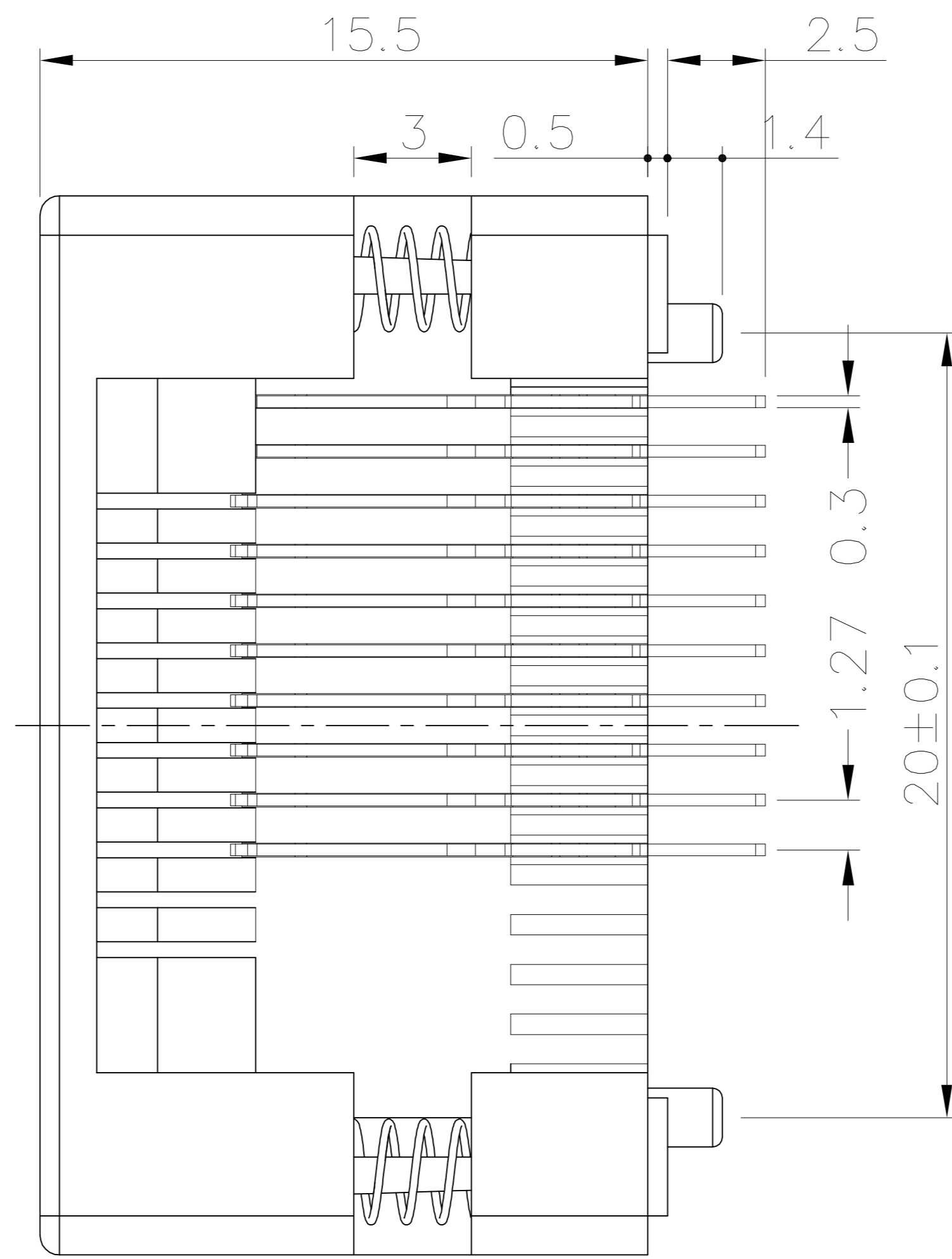
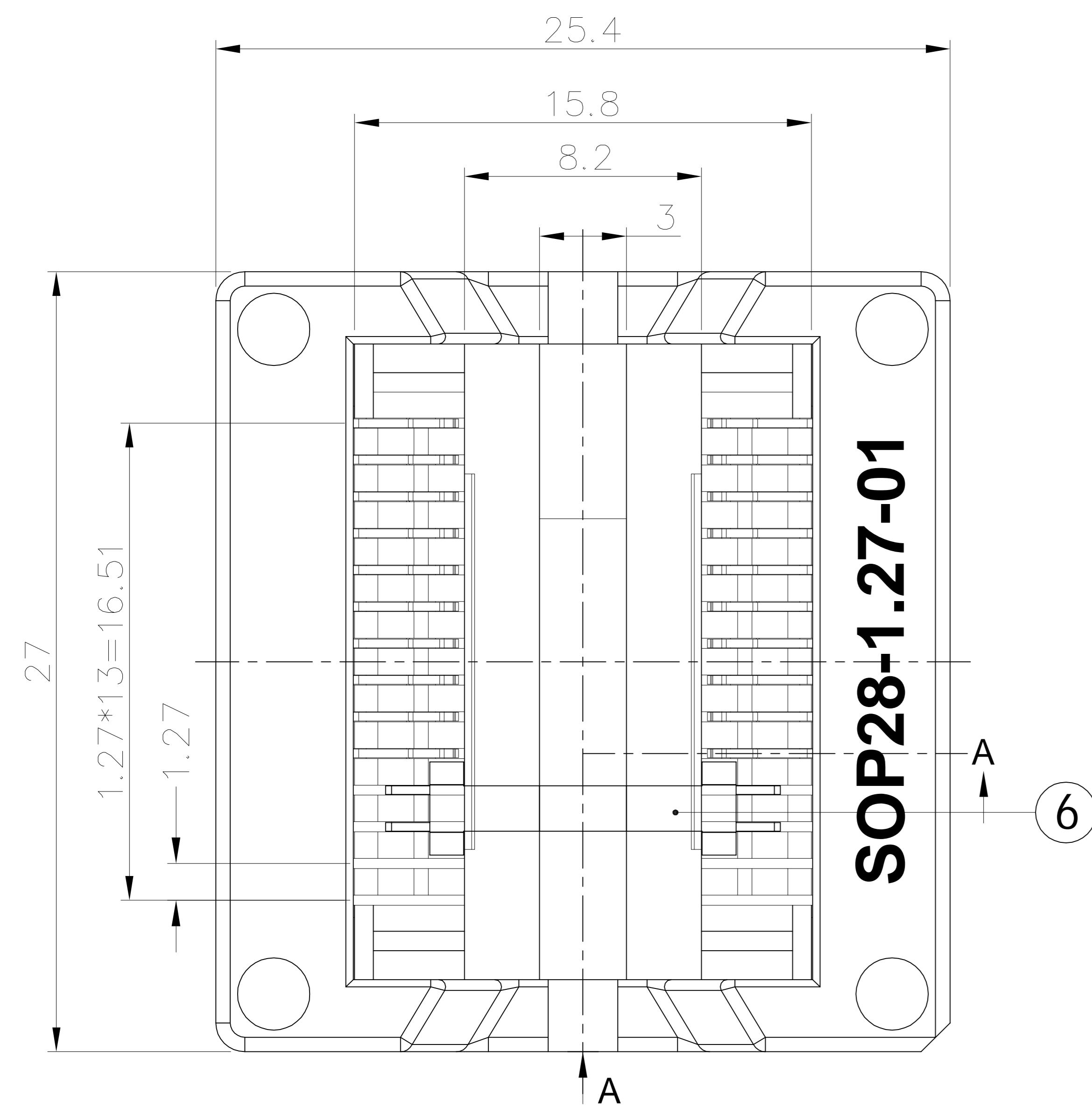
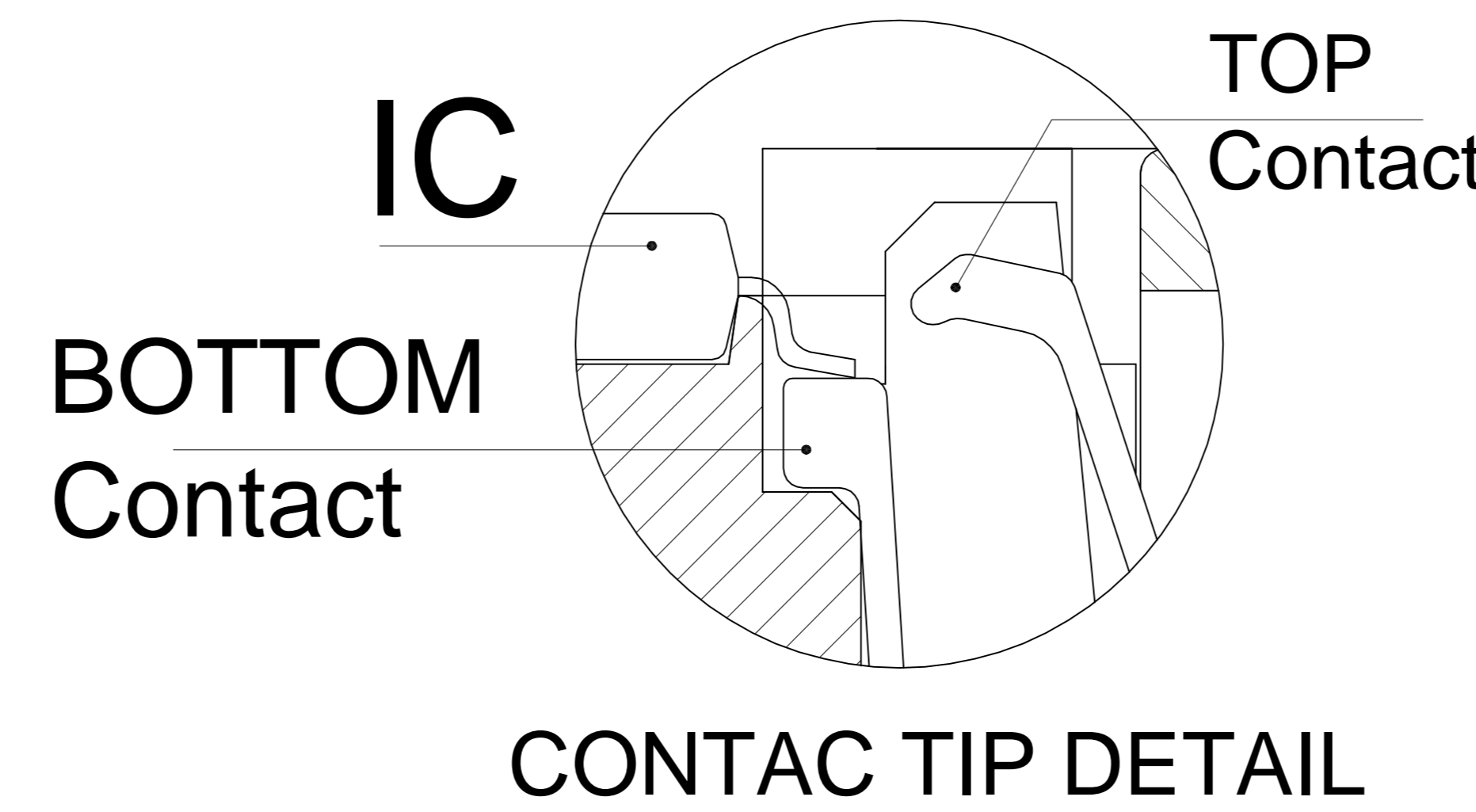
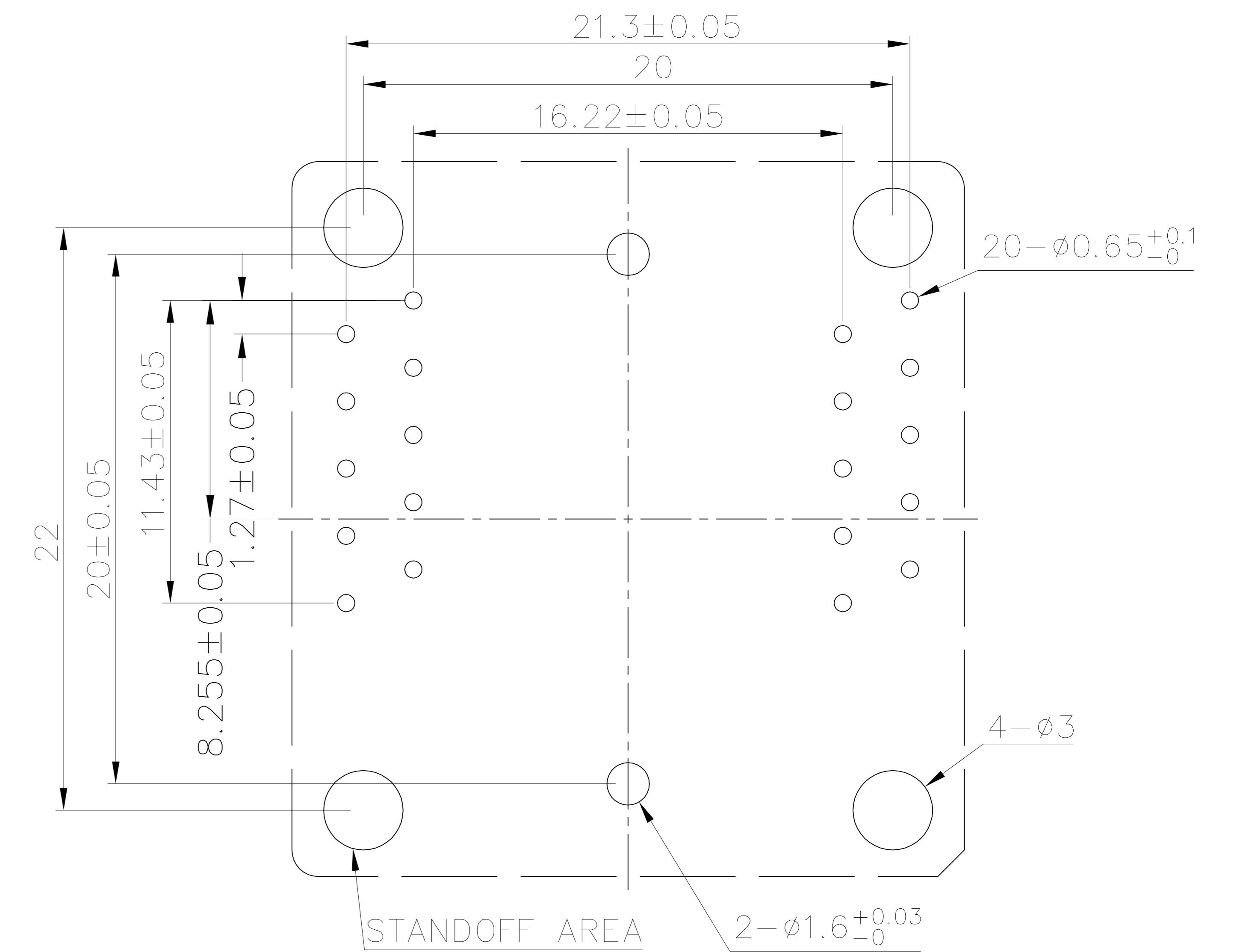


REVISION	DESCRIPTION	CHECK APP	DATE	REV. NOTICE NO
△1				
△2				
△3				



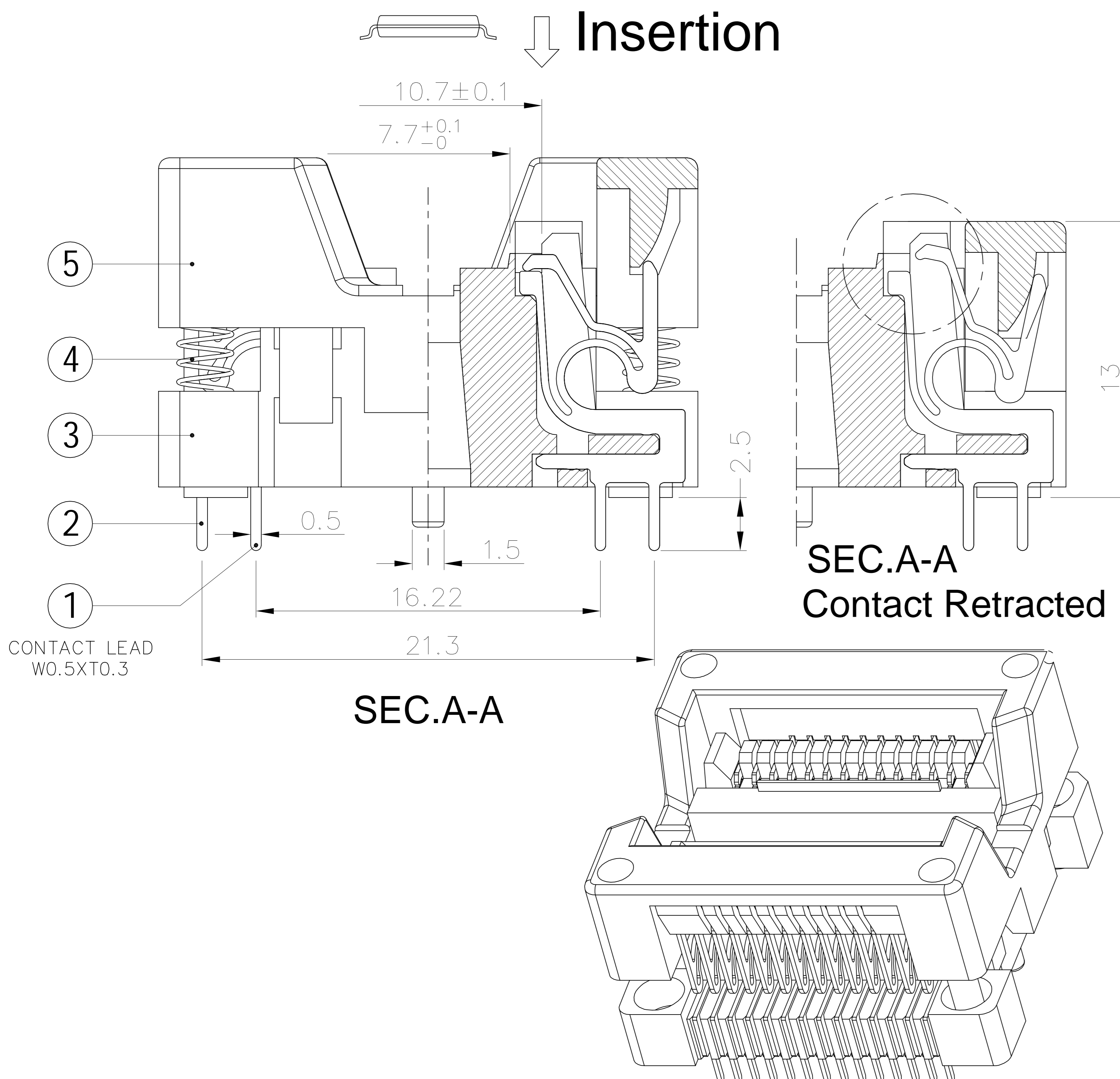
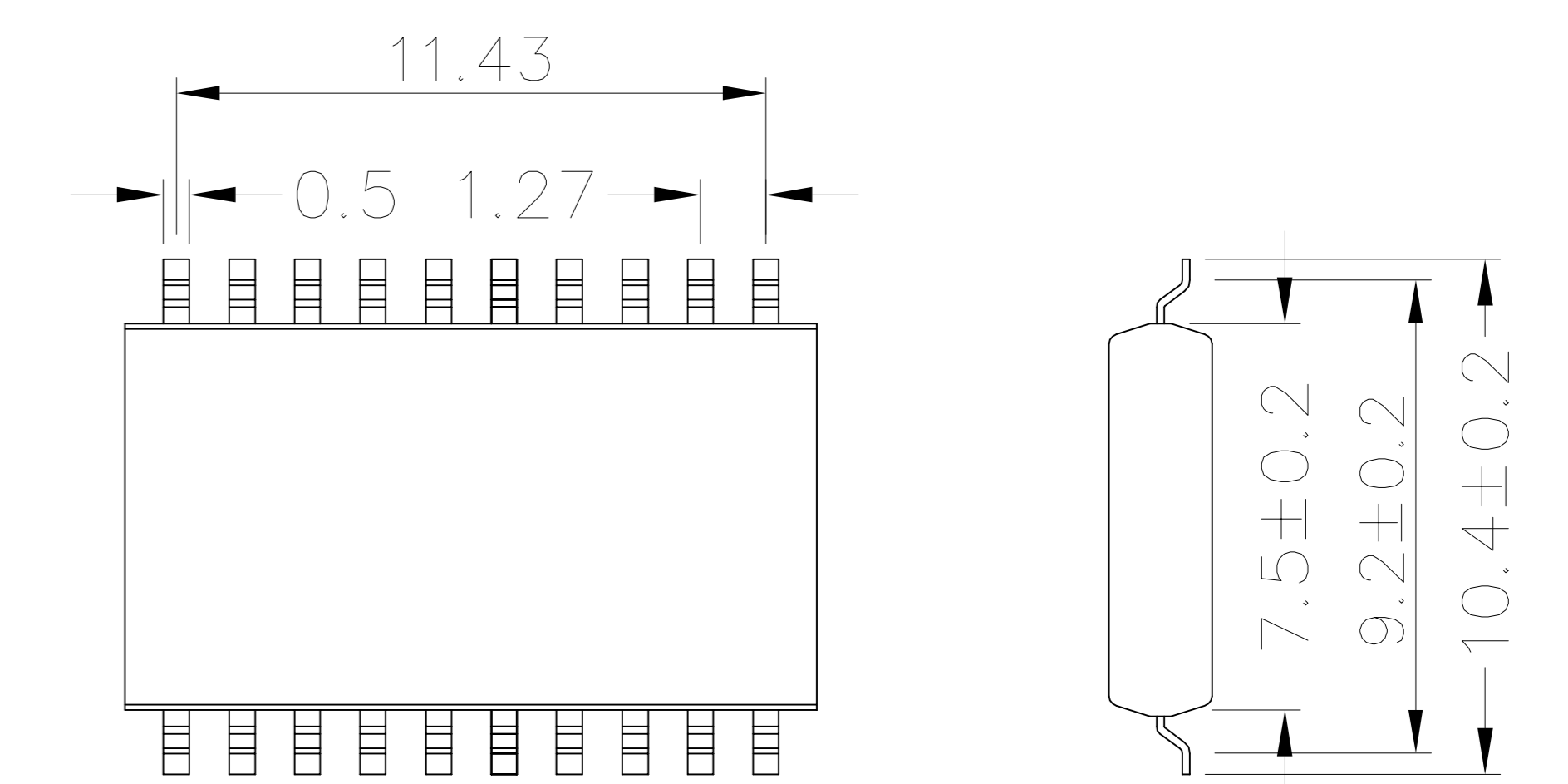
**PCB PATTERN (TOP VIEW)**



**PERFORMANCE**

- 1、Insulation Resistance: 1000mΩ Min.At DC 500V
- 2、Dielectric Withstanding Voltage For 1 Minute At AC 700V
- 3、Contact Resistance 30mΩ MAX. at 10mA and 20mV MAX.(Initial)
- 4、Current Rating: 1A max.
- 5、Operation Temperature -55°C ~+175°C
- 6、Contact Force 5-8g Per Pin (Normal)
- 7、Life Span 15,000 Times (Mechanical)
- 8、Operation Force 1.0 Kg MAX

**APPLICABLE IC**



6	SOP-28-U01-003	ADAPTER	PEI/PES	1	BLACK
5	SOP-28-U01-002	COVER	PEI/PES	1	BLACK
4	30-B-4515X	SPRING	SUS	4	FOR COVER
3	SOP-28-U01-001	BASE	PEI/PES	1	BLACK
2	SOP-28-MSBR-02	CONTACT	BeCu	10	Au PLATING
1	SOP-28-MSBR-01	CONTACT	BeCu	10	Au PLATING
No	Part Number	Name	Material	Q/ty	Note

PROJECTION		GENERAL TOLERANCES ±0.10	TITLE	PA-SOCKET-SOICW7-20-1.27
DIMENSION:	mm	SCALE: 1:1	CLASS	
APP:		DATE:	<b>PROTO ADVANTAGE</b> ®	
CHECK:		DATE:		
DEGK: ENG02		DATE: 2024-08-26		