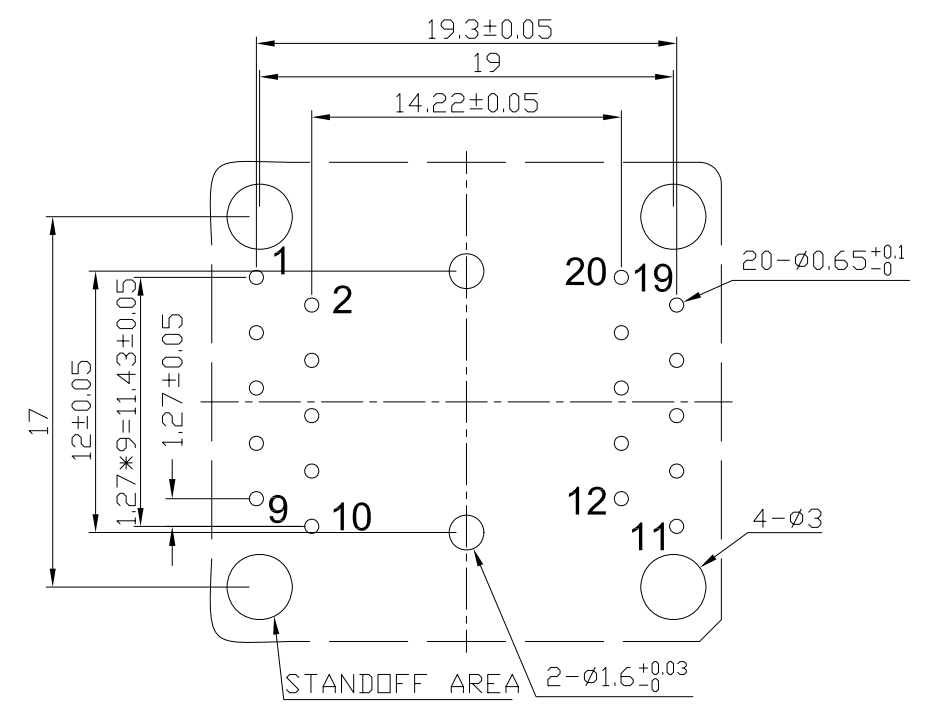
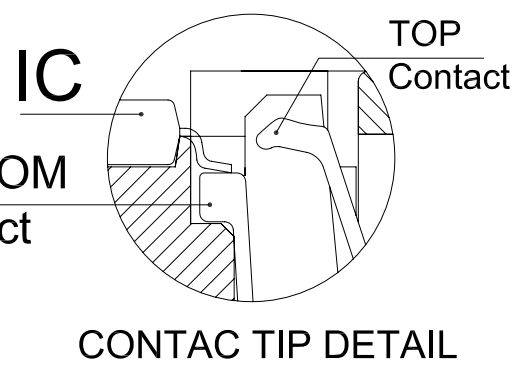
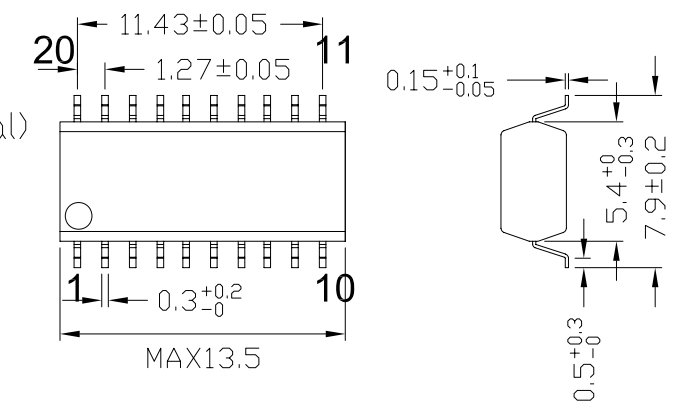


PCB PATTERN (TOP VIEW)

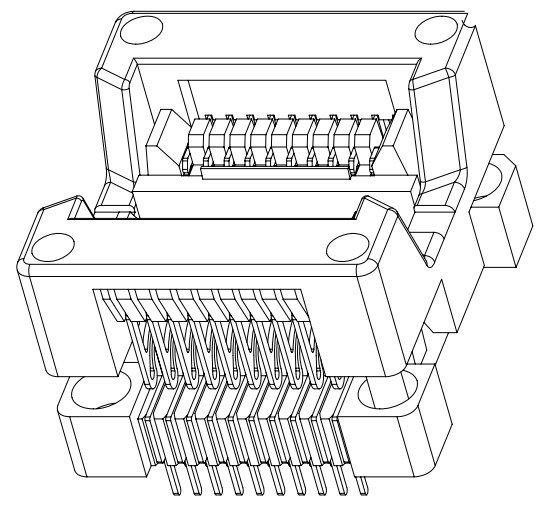
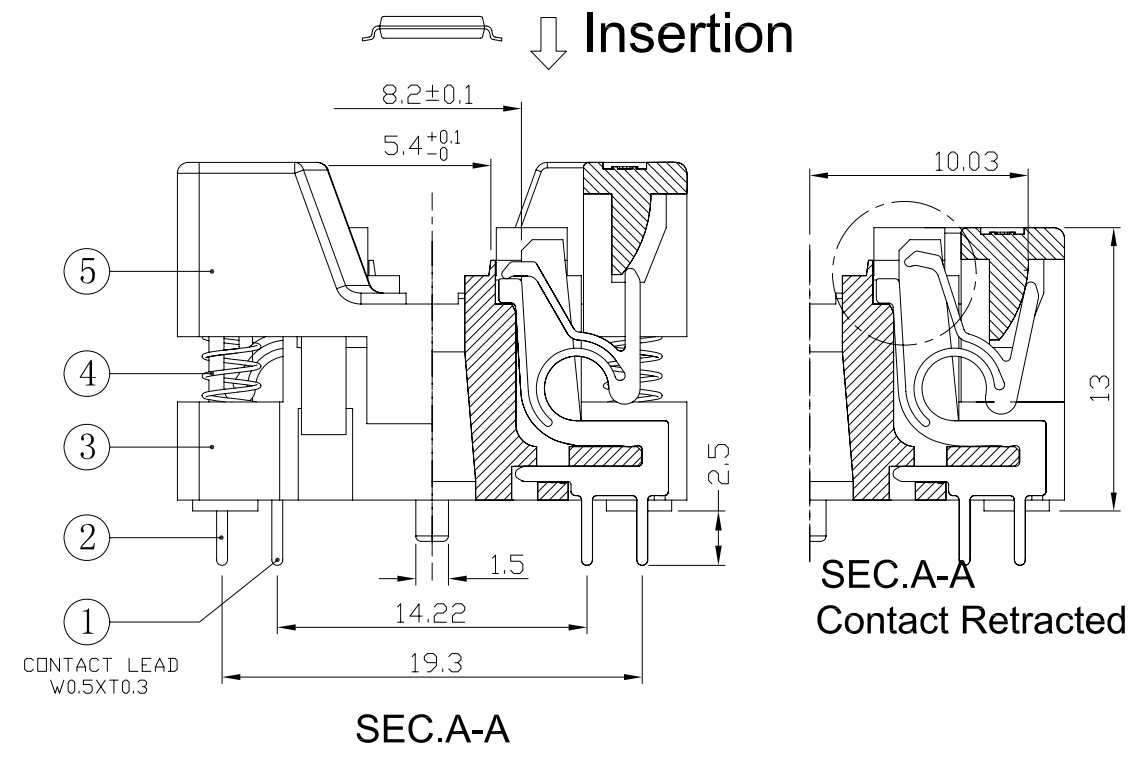


APPLICABLE IC



PERFORMANCE

1. Insulation Resistance: 1000mΩ Min.At DC 500V
2. Dielectric Withstanding Voltage For 1 Minute At AC 700V
3. Contact Resistance 30mΩ MAX. at 10mA and 20mV MAX.(Initial)
4. Current Rating: 1A max.
5. Operation Temperature -55°C ~+125°C
6. Life Span 15,000 Times (Mechanical)
7. Operation Force 1.0 Kg MAX



5	SOP-20-U01-002	COVER	PEI/PES	1	BLACK	TOLERANCE	PROJECTION	GENERAL TOLERANCES	±0.10	TITLE	PA-SOCKET-SOICW-20-1.27
4	30-B-4515X	SPRING	SUS	4	FOR COVER					CLASS	
3	SOP-20-U01-001	BASE	PEI/PES	1	BLACK	X. X ± 0.25	APP:	SCALE:	1:1	DRW. NO	PROTO ADVANTAGE®
2	SOP-20-MSBR-02	CONTACT	BeCu	10	Au PLATING					DATE:	
1	SOP-20-MSBR-01	CONTACT	BeCu	10	Au PLATING	X. XX ± 0.10	CHECK:	DATE:			
No	Part Number	Name	Material	Q/ty	Note				X. XXX ± 0.05	DEGK:	

REVISION	DESCRIPTION	CHECK	APP	DATE	REV. NOTICE NO
△ 1					
△ 2					
△ 3					