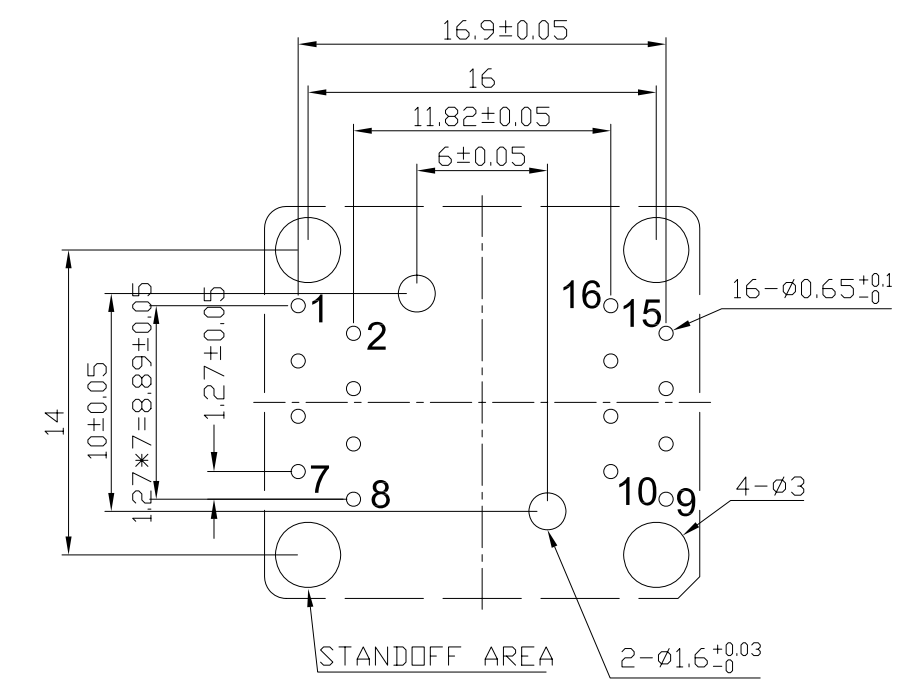
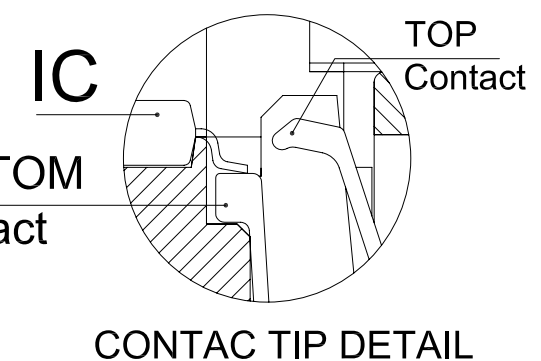
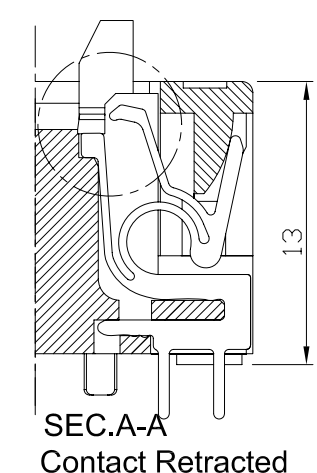
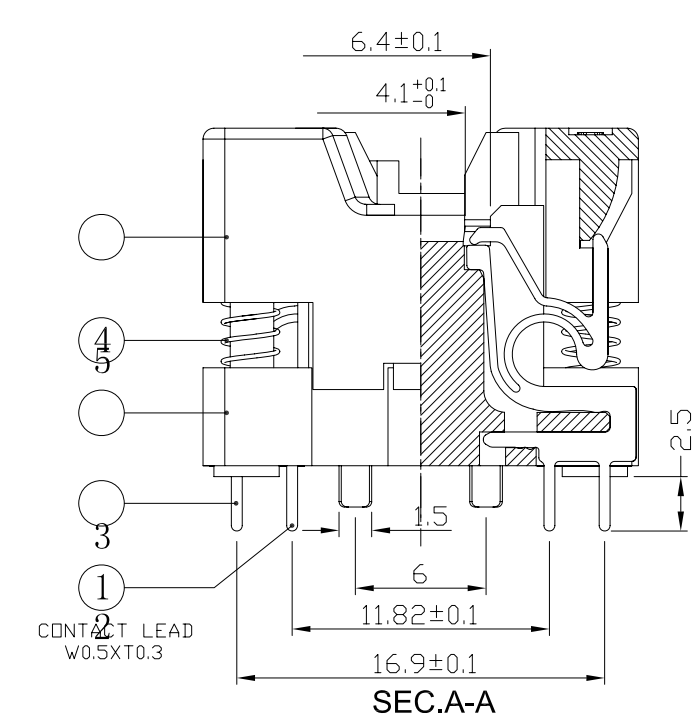


PCB PATTERN (TOP VIEW)



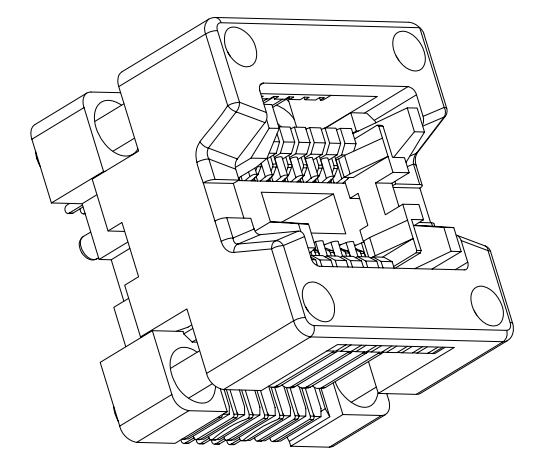
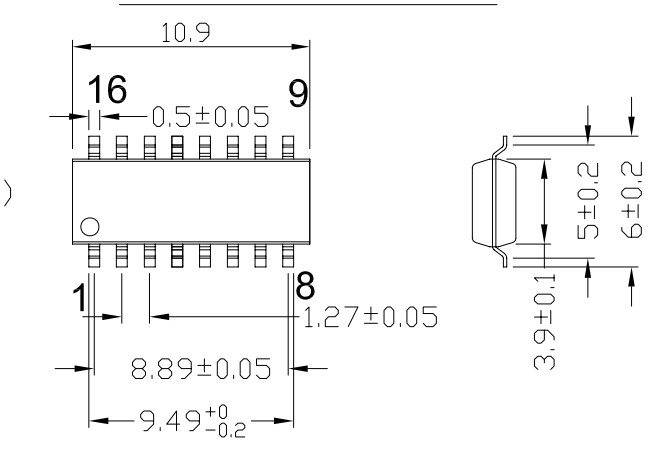
Insertion



PERFORMANCE

1. Insulation Resistance: 1000mΩ Min.At DC 500V
2. Dielectric Withstanding Voltage For 1 Minute At AC 700V
3. Contact Resistance 30mΩ MAX. at 10mA and 20mV MAX.(Initial)
4. Current Rating: 1A max.
5. Operation Temperature -55°C ~+125°C
6. Life Span 15,000 Times (Mechanical)
7. Operation Force 1.0 Kg MAX

APPLICABLE IC



5	SOP-16-U01-002	COVER	PEI/PES	1	BLACK	TOLERANCE	PROJECTION	GENERAL TOLERANCES	±0.10	TITLE	PA-SOCKET-SOICN-16-1.27
4	30-B-4515X	SPRING	SUS	4	FOR COVER					CLASS	
3	SOP-16-U01-001	BASE	PEI/PES	1	BLACK	X. ± 0.50	DIMENSION: mm	SCALE: 1:1	DATE:	DRW. NO	<b>PROTO ADVANTAGE®</b>
2	SOP-16-MSBR-02	CONTACT	BeCu	8	Au PLATING	X.X ± 0.25	APP:	DATE:			
1	SOP-16-MSBR-01	CONTACT	BeCu	8	Au PLATING	X.XX ± 0.10	CHECK:	DATE:			
No	Part Number	Name	Material	Q/ty	Note	X.XXX ± 0.05	DEGK:	DATE: 2023-07-12			

REVISION	DESCRIPTION	CHECK	APP	DATE	REV. NOTICE NO
△1					
△2					
△3					