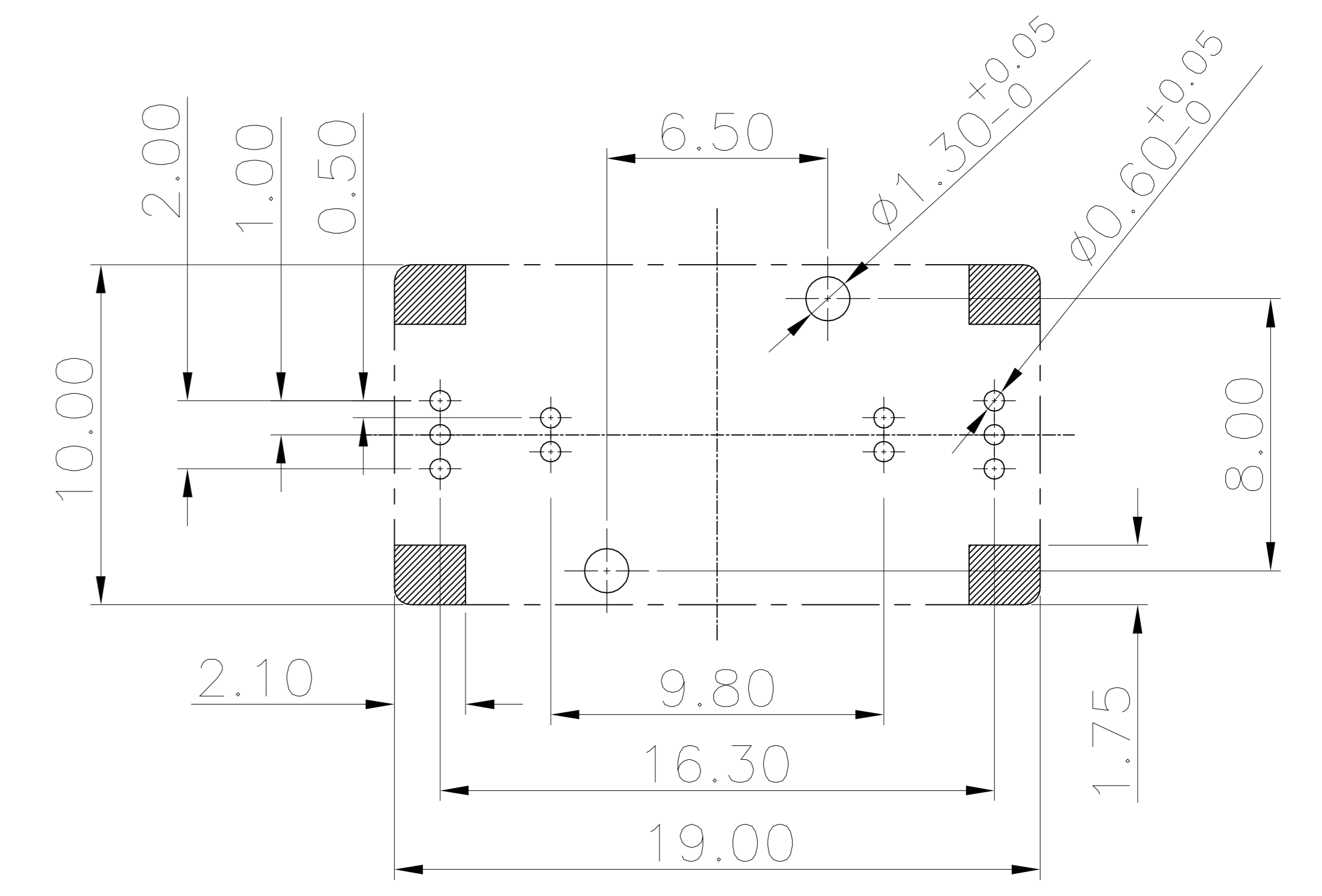
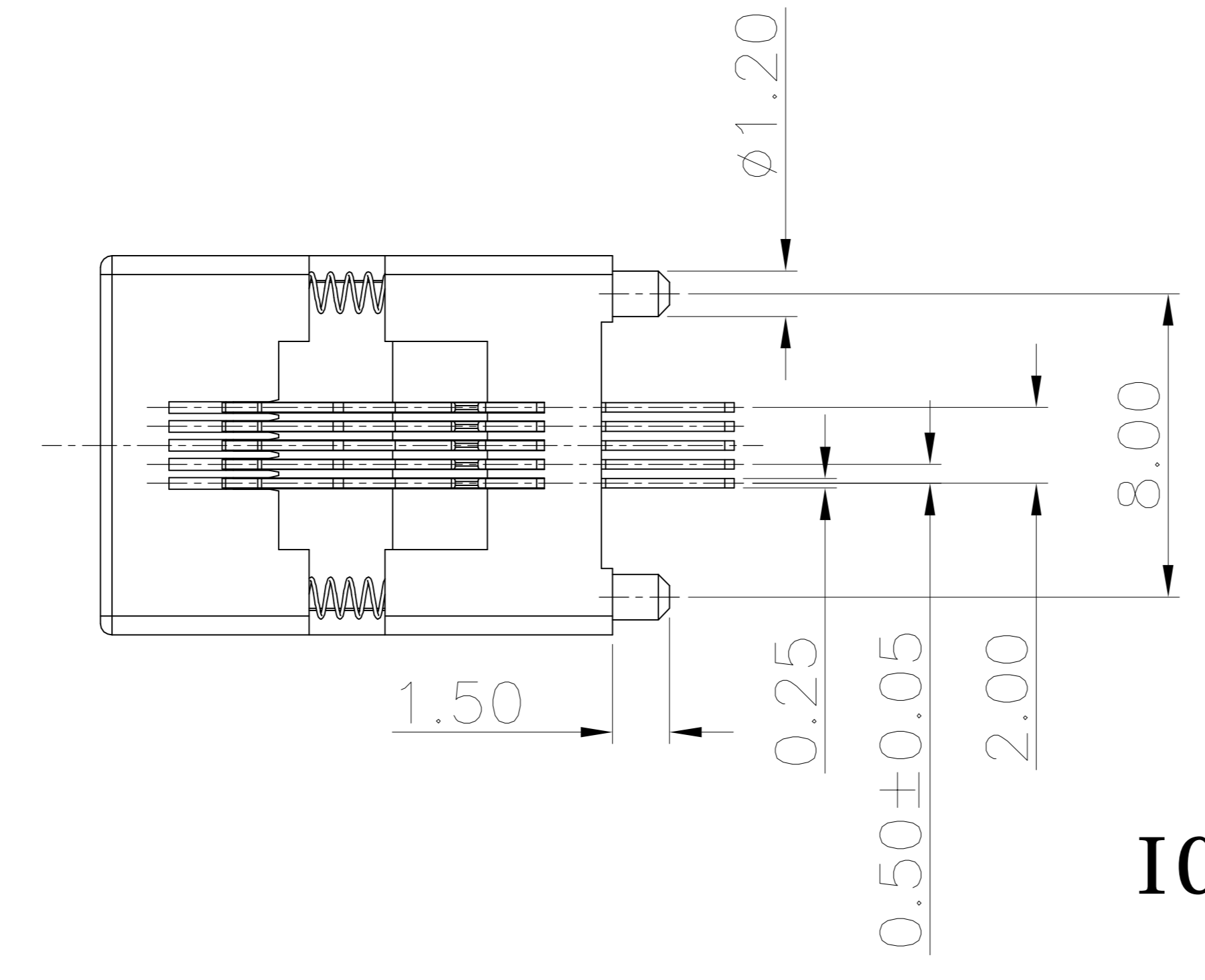
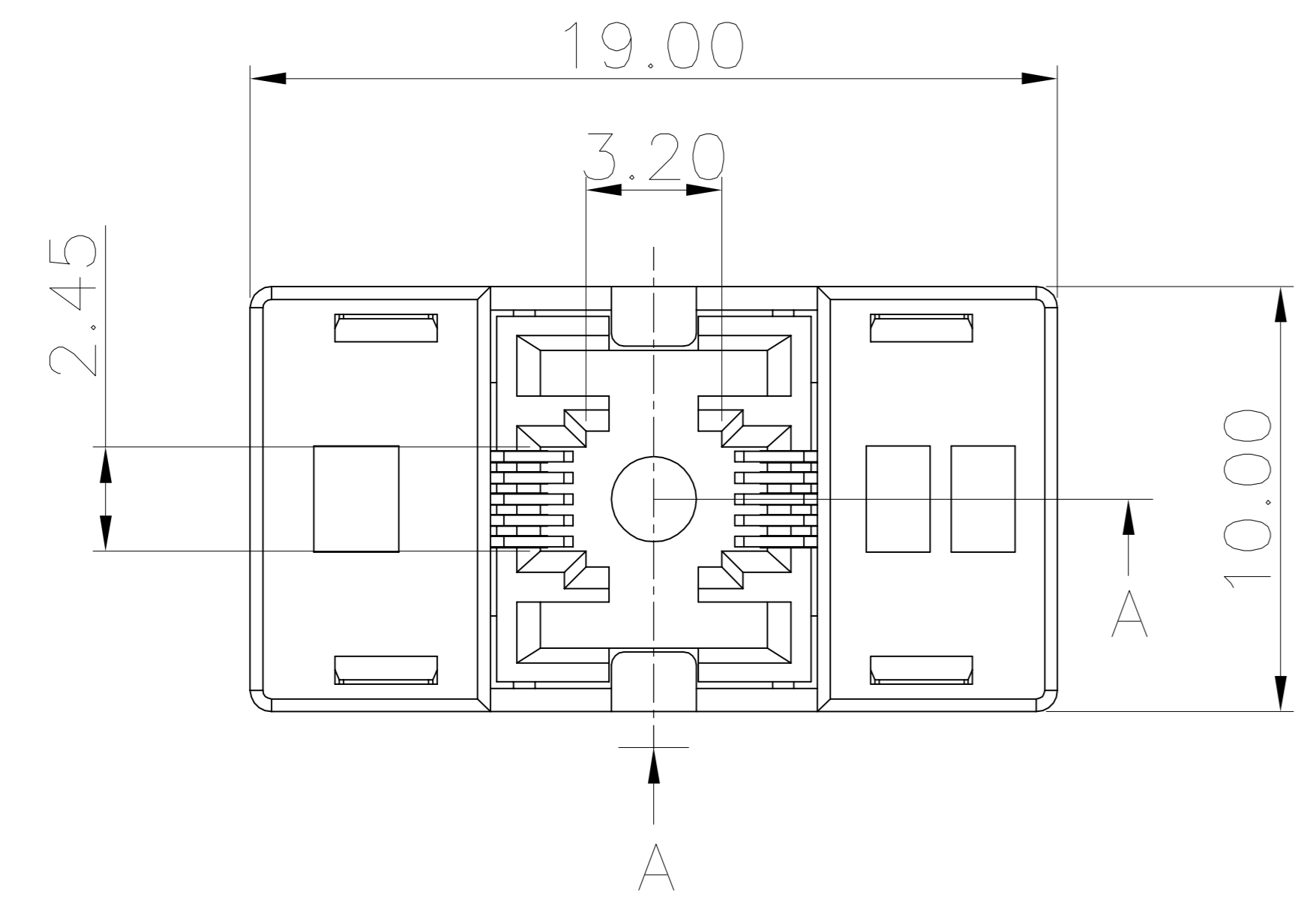
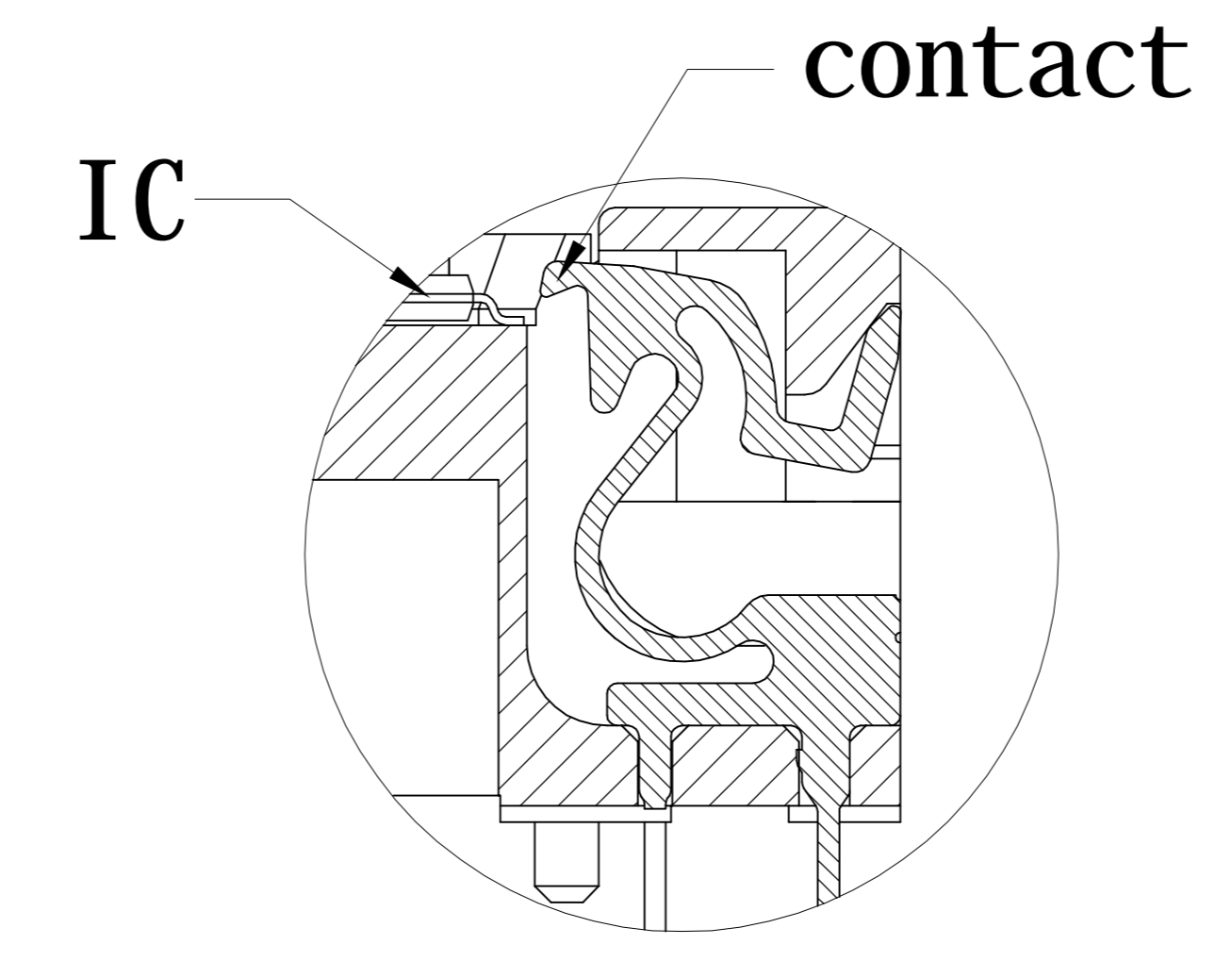
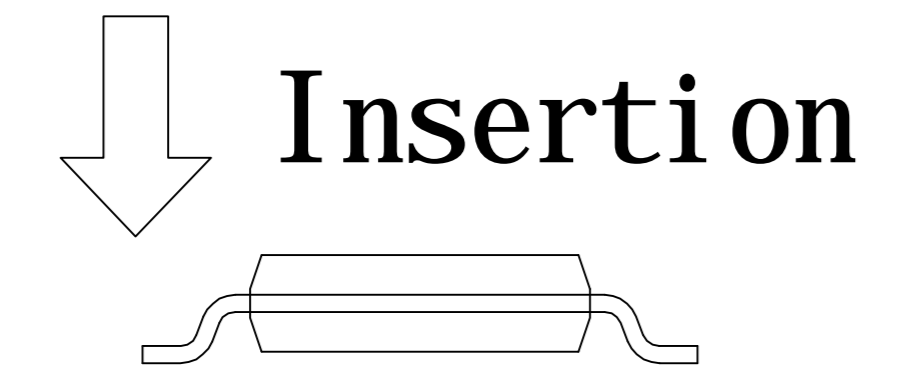


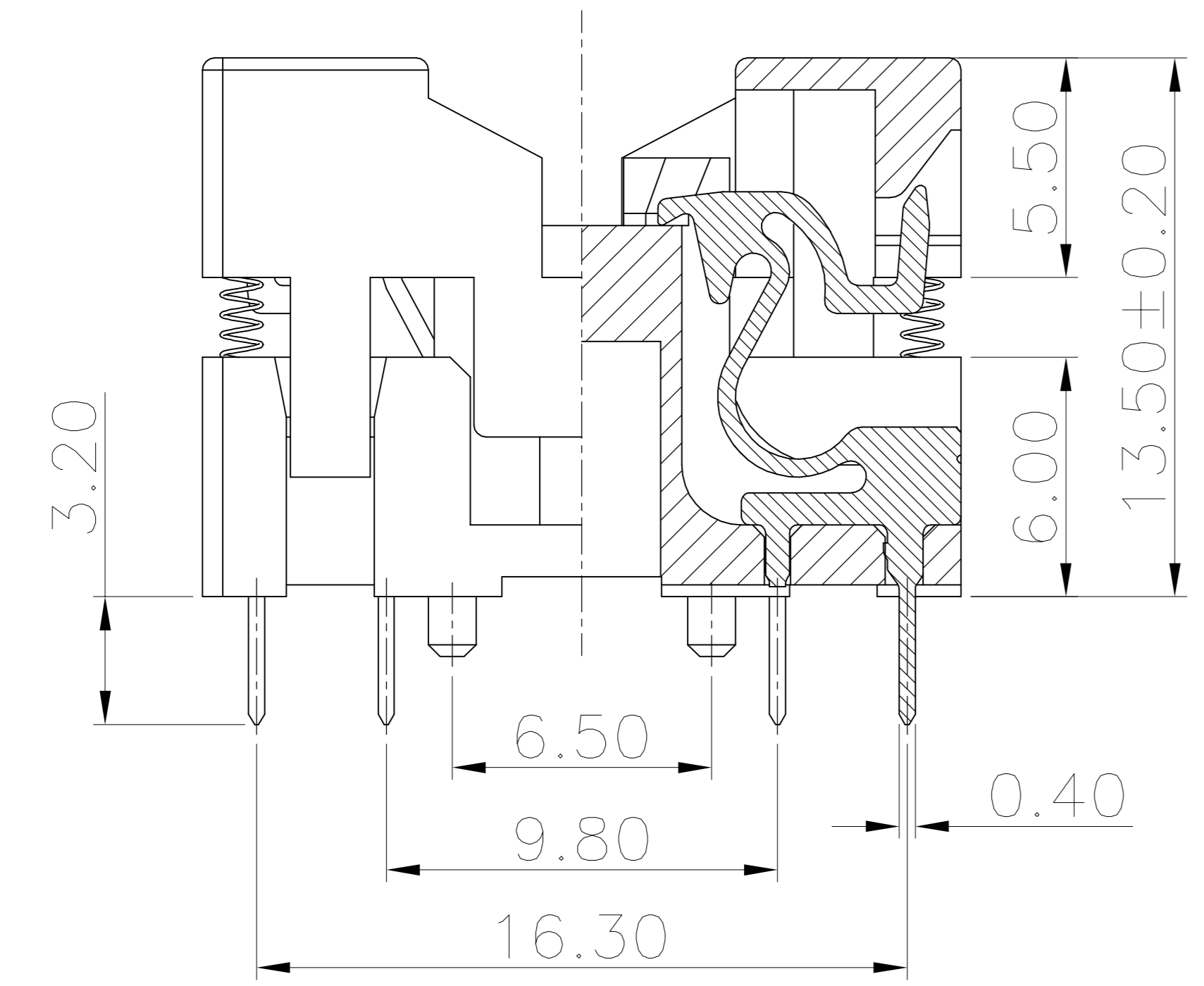
REVISION	DESCRIPTION	CHECK	APP	DATE	REV. NOTICE. NO
△ 1					
△ 2					
△ 3					



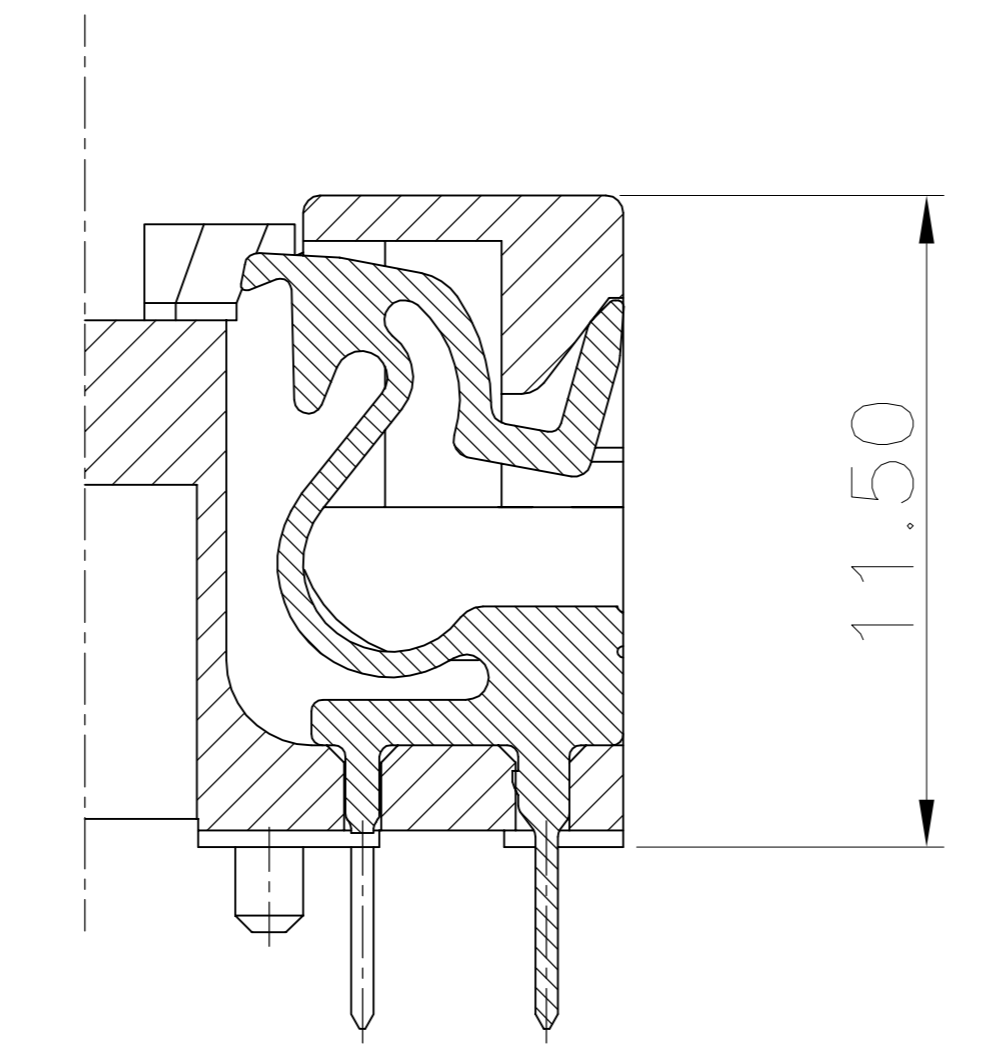
PCB PATTERN (TOP VIEW)
TOLERANCE: ±0.05



CONTACT TIP DETAIL

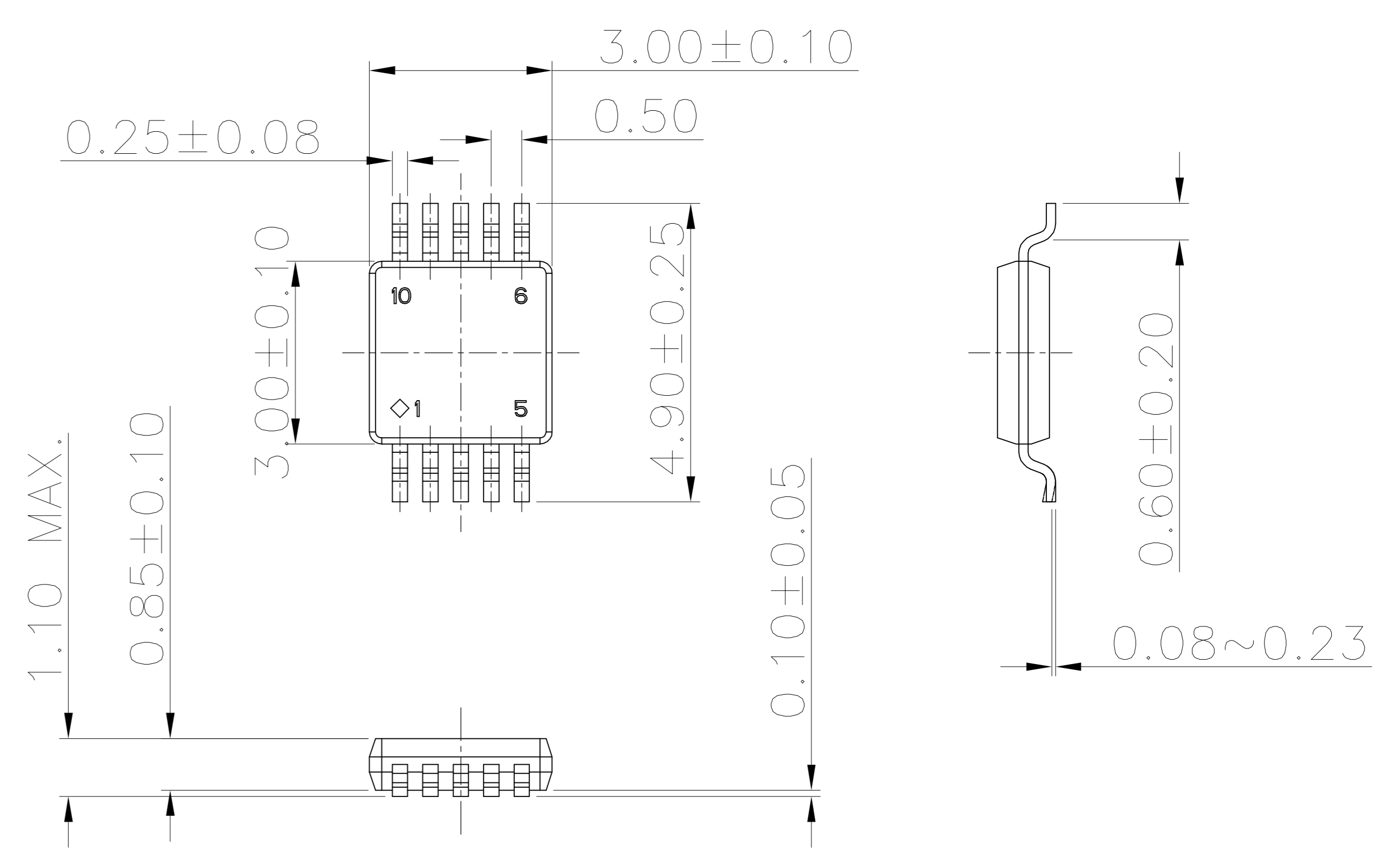


SEC: A-A

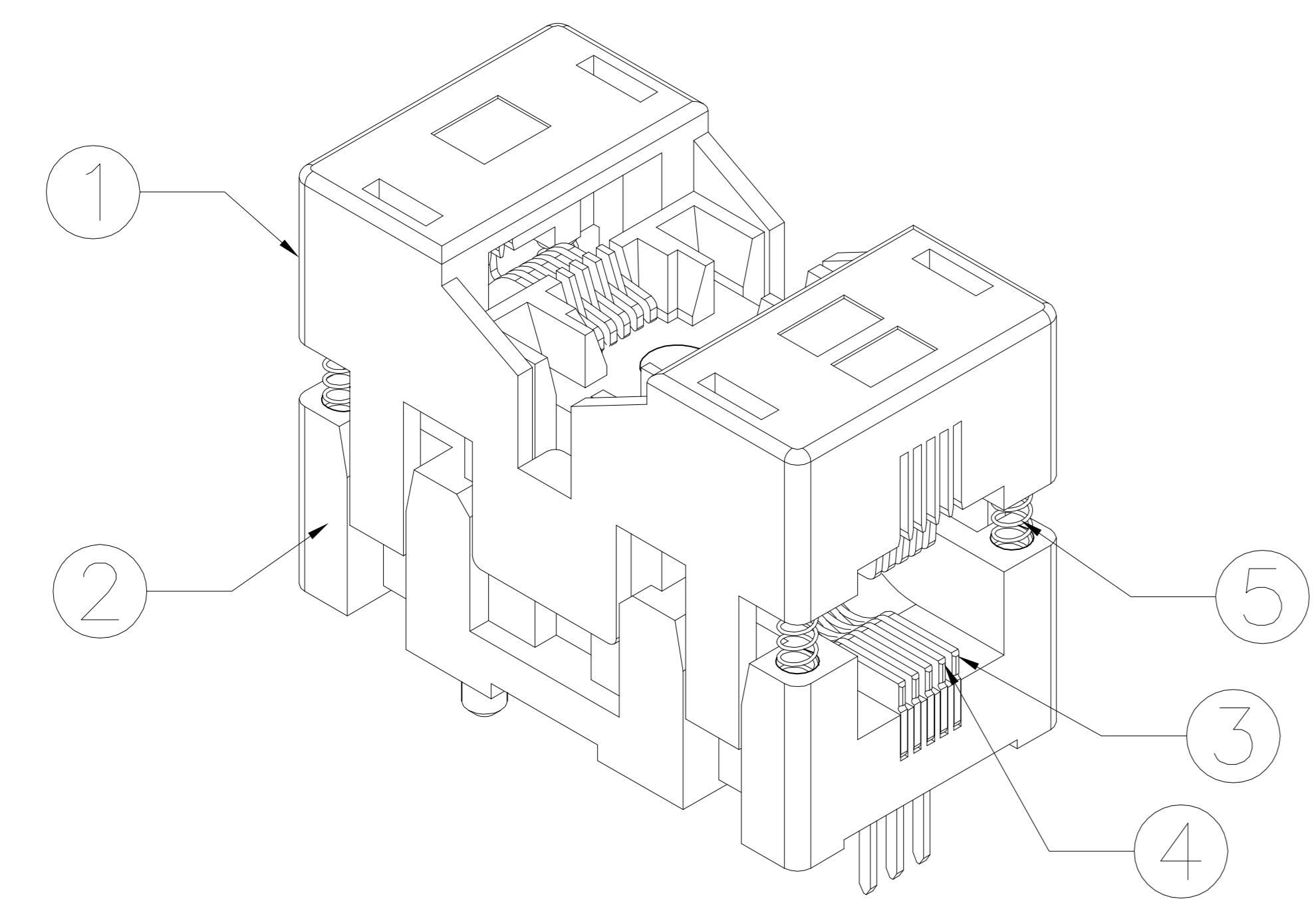


Contact Retracted

SEC: A-A



APPLICABLE IC
SCALE: 2:1



PERFORMANCE

1. Insulation Resistance: 1000mΩ Min. At DC 500V
2. Dielectric Withstanding Voltage For 1 Minute At AC 700V
3. Contact Resistance 30mΩ MAX. at 10mA and 20mV MAX. (Initial)
4. Operation Temperature -65° C ~+175° C
5. Life Span 15,000 Times (Mechanical)

No.	Part Number	Name	Material	Q/ty	Note	TOLERANCE	PROJECTION	GENERAL TOLERANCES	± 0.10	TITLE	PA-SOCKET-MSOP-10-0.5
5	30-B-4505B	SPRING	SUS	4	FOR COVER			R E V	AO	CLASS	
4	MSOP10-0.5-TPJTB	CONTACT	BeCu	4	Au PLATING	X. ± 0.50	DIMENSION: mm	SCALE: 1:1		DRW. NO	
3	MSOP10-0.5-TPJTA	CONTACT	BeCu	6	Au PLATING	X.X ± 0.25	APP:	DATE:			
2	MSOP10-0.5-TPCR	COVER	PEI	1	BLACK	X.XX ± 0.10	CHECK:	DATE:			
1	MSOP10-0.5-TPBY	BODY	PEI	1	BLACK	X.XXX ± 0.05	DECK:	DATE: 2023-01-13			

PROTO ADVANTAGE®