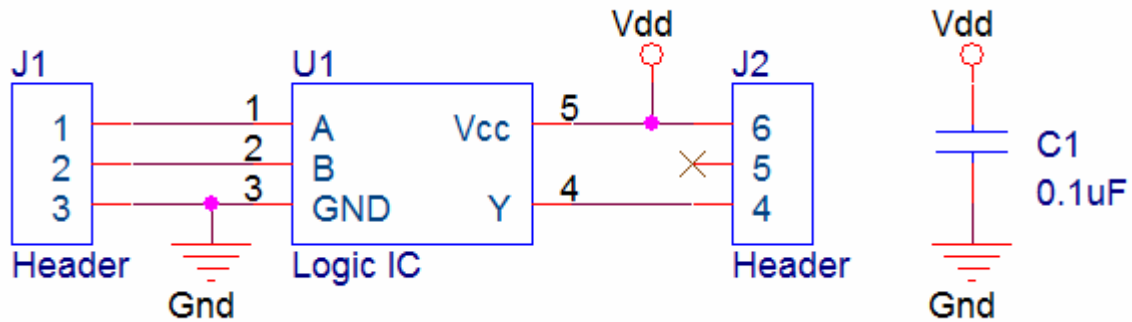


## Inverter, Schmitt Triggered to DIP-6 SMT Adapter

### Schematic



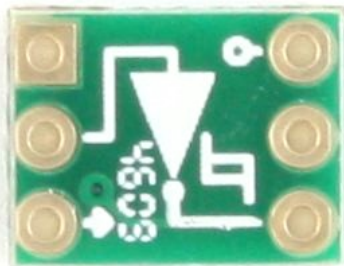
### Bottom Side Layout

(Accepts most SOT23-5 Logic ICs and 0805 decoupling capacitor)

Recommended parts for this Adapter:

Texas Instruments: SN74LVC1G14DBVR

Yageo: CC0805KRX7R9BB104



Top View



Bottom View