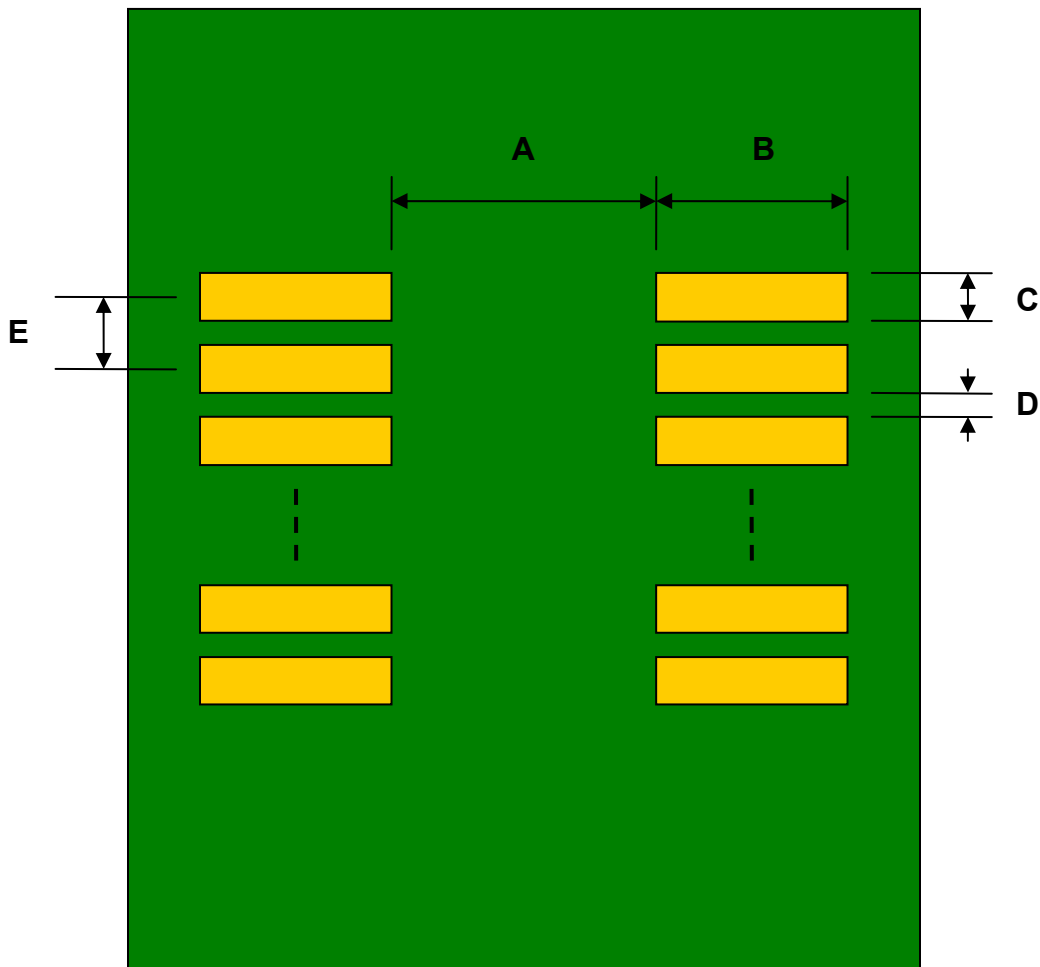


Generic Dual Row 0.45mm Pitch 40-Pin to DIP-40 Adapter

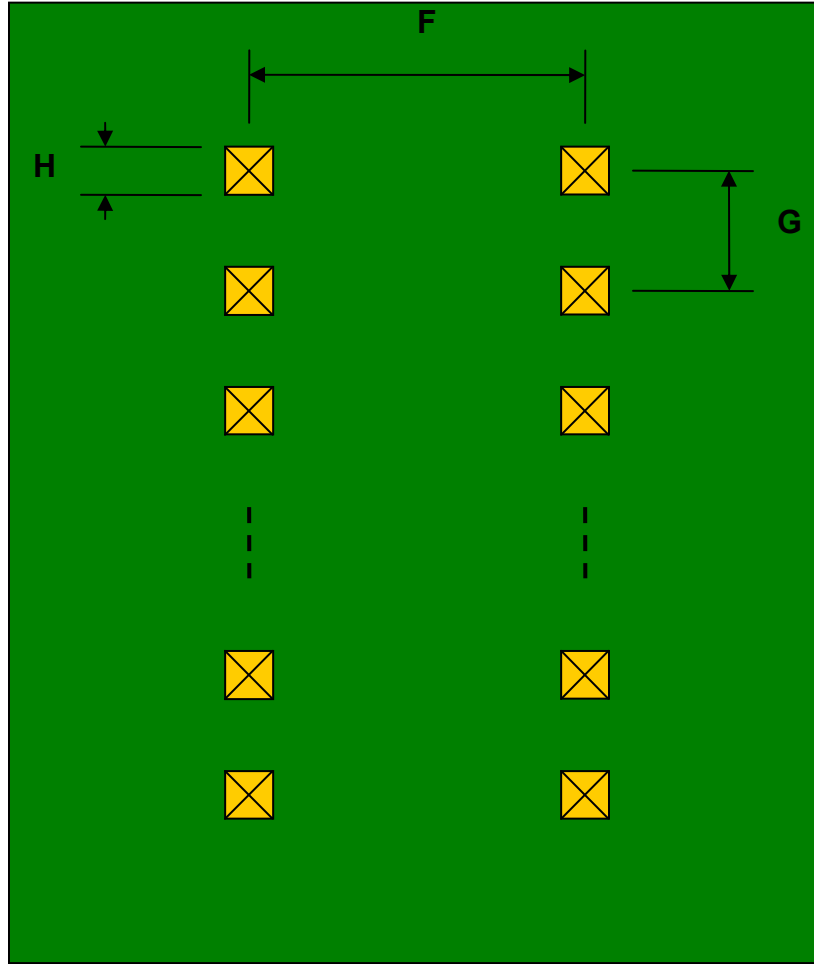
REF.	DIMENSIONS					
	mm			inches		
	MIN.	TYP.	MAX.	MIN.	TYP.	MAX.
A		0.50				
B		9.00				
C		0.25				
D		0.20				
E		0.45				
F					0.300	
G					0.100	
H					0.025	

Top View (SMT Footprint)



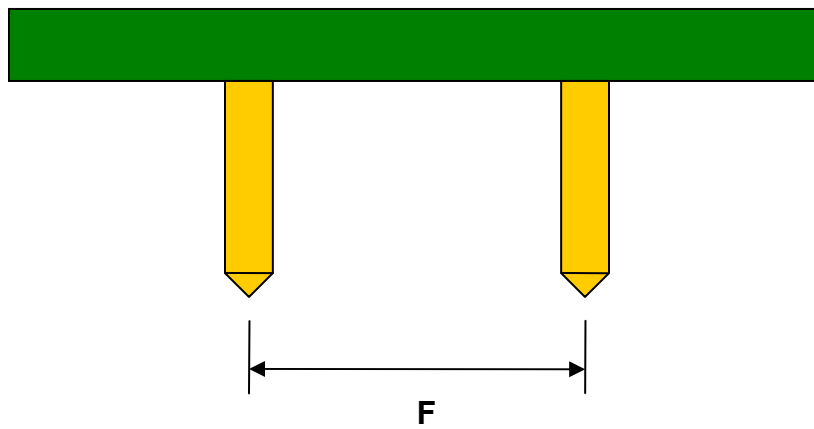
(Representative drawing only - not to scale)

Bottom View (DIP Pins)



(Representative drawing only - not to scale)

Side View (DIP Pins)



(Representative drawing only - not to scale)