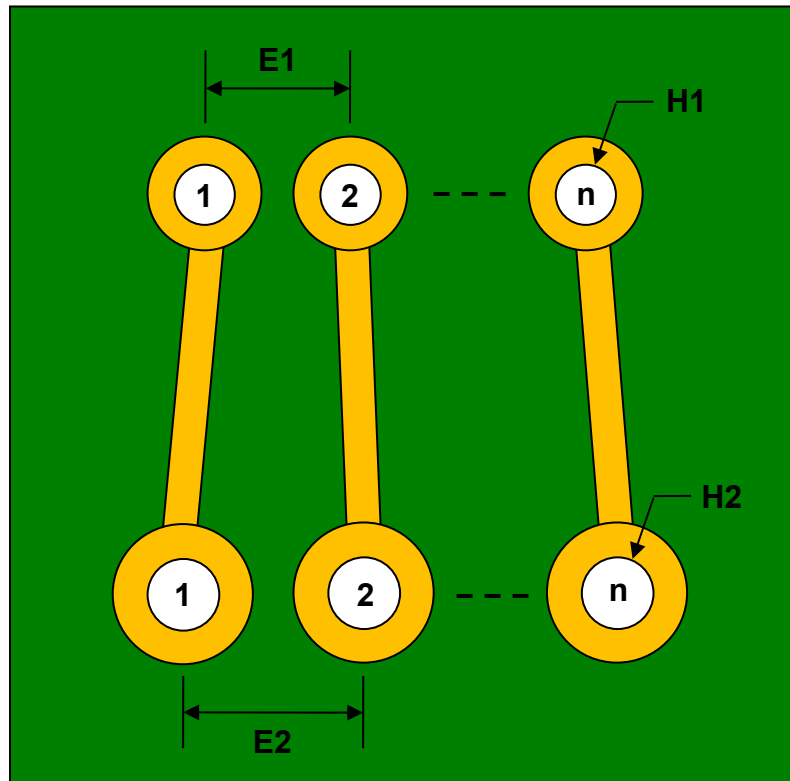


## Pitch Changer 1.78mm (0.070") to 2.54mm conversion - 20 Pin

REF.	DIMENSIONS						Pin Count
	mm			inches			
	MIN.	TYP.	MAX.	MIN.	TYP.	MAX.	
E1		1.78					
E2		2.54					
H1		1.30					
H2		1.00					
n							20

Top View (TH Footprints)



(Representative drawing only - not to scale)

### Part Number Coding

