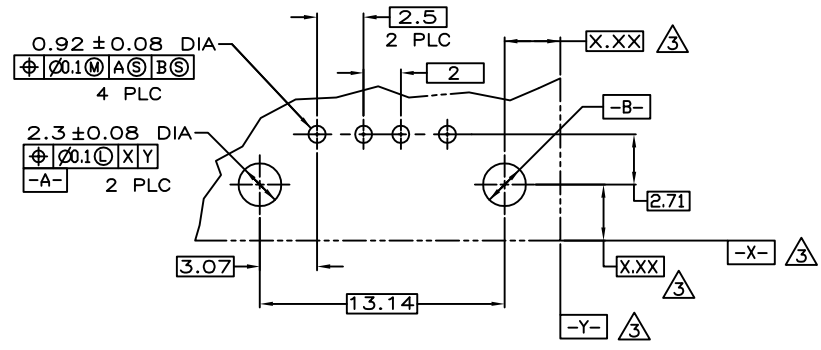
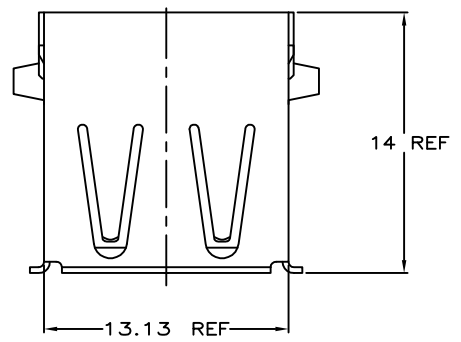
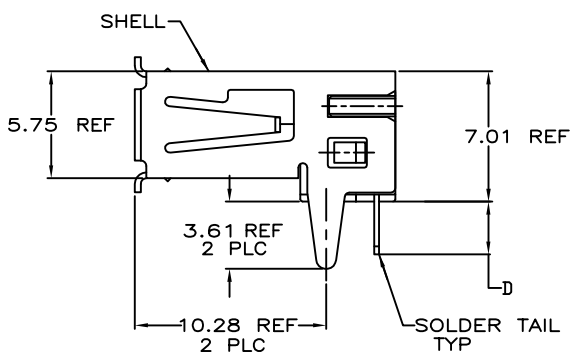
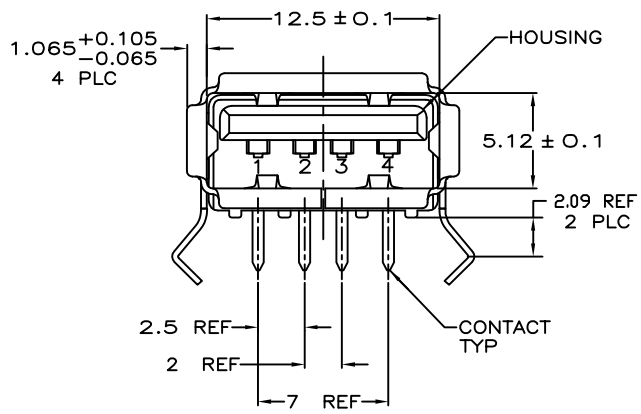


REVISIONS				
P	LR	DESCRIPTION	DATE	DRN APVD
ES	00	RELEASED PER ECR-12-002448	13FEB12	J.H.S.Y



PC BOARD MOUNTING DIMENSIONS  $\Delta$



- $\Delta$  MATERIAL:  
SHELL & CONTACTS- COPPER ALLOY.  
HOUSING: UL 94V-0 RATED, THERMOPLASTIC, COLOR SEE TABLE.
- $\Delta$  PLATING:  
CONTACTS: 0.076 $\mu$ m MINIMUM GOLD OVER 0.76 $\mu$ m MINIMUM PALLADIUM-NICKEL ON MATING AREA.  
3.8 $\mu$ m MINIMUM MATTE TIN ON SOLDER TAILS.  
BOTH OVER 1.27 $\mu$ m MINIMUM NICKEL.  
CONTACT ALTERNATE PLATING: 0.76 $\mu$ m MIN GOLD ON MATING AREA, 3.80 $\mu$ m MIN MATTE TIN ON SOLDER TAILS, BOTH OVER 1.27 $\mu$ m MIN NICKEL.  
SHELL: 2~5 $\mu$ m MINIMUM BRIGHT TIN
- $\Delta$  DATUM AND BASIC DIMENSIONS ESTABLISHED BY CUSTOMER.
- $\Delta$  RECOMMENDED PC BOARD THICKNESS OF 1.57.

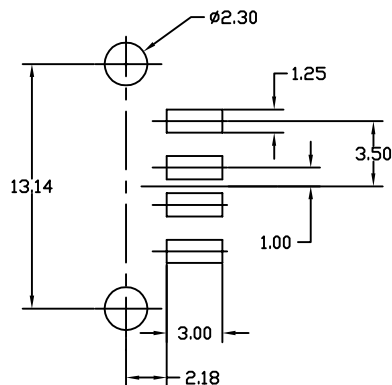
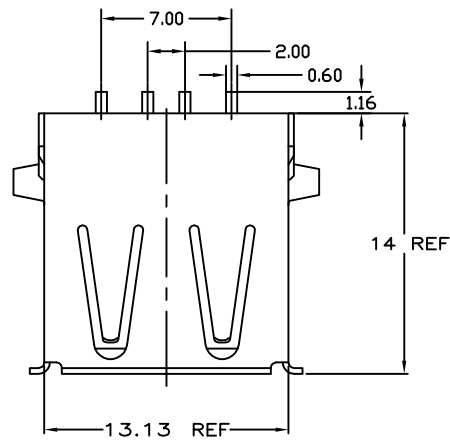
YES	2.29	BLACK	1-292303-9 $\text{\textcircled{B}}$
NO	3.81	BLACK	1-292303-5
NO	3.56	BLACK	1-292303-4
NO	3.20	BLACK	1-292303-3
YES	3.30	BLACK	1-292303-2
YES	2.29	BLACK	292303-6
YES	2.84	NATURAL	292303-5
YES	2.84	BLACK	292303-4
NO	2.84	NATURAL	292303-3
NO	2.29	BLACK	292303-2
NO	2.84	BLACK	292303-1
HIGH TEMPERATURE COMPATIBLE	D	HOUSING COLOR	PART NUMBER

THIS DRAWING IS A CONTROLLED DOCUMENT.

DRN	J.JIANG	19FEB04
CHK	S.YAO	19FEB04
APVD	T.SASAKI	19FEB04
NAME	TE Connectivity	
PRODUCT SPEC	RECEPTACLE ASSEMBLY RIGHT	
APPLICATION SPEC	ANGLE, 4 POSITION, T/H & SMT	
SIZE	A2	00779
WEIGHT	C=292303	
CUSTOMER DRAWING	SCALE	5:1
	SHEET	1 of 4
	REV	E8

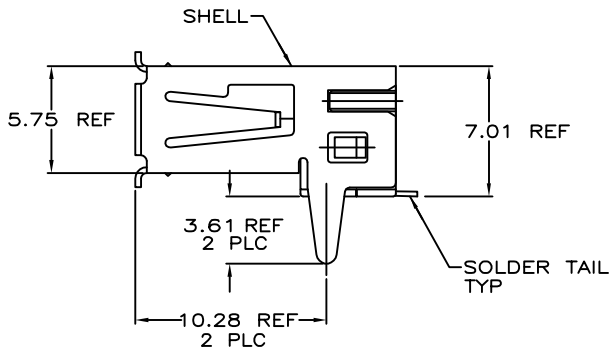
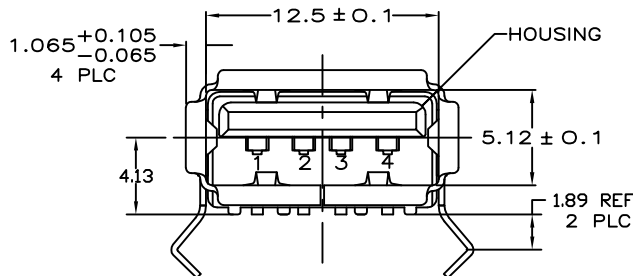
THIS DRAWING IS UNPUBLISHED. RELEASED FOR PUBLICATION  
 © COPYRIGHT - By - ALL RIGHTS RESERVED.

LOC		DIST		REVISIONS			
P	LTR	DESCRIPTION	DATE	DRN	APVD		
-	-	SEE SHEET 1	-	-	-		



RECOMMENDED PC BOARD MOUNTING LAYOUT  $\Delta$   
 (TOLERANCE= $\pm 0.05$ )

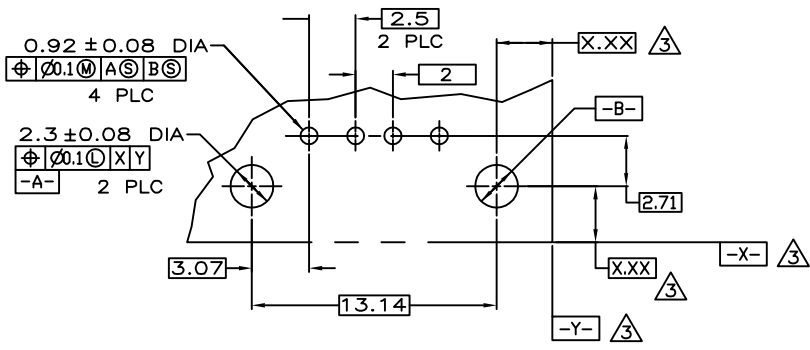
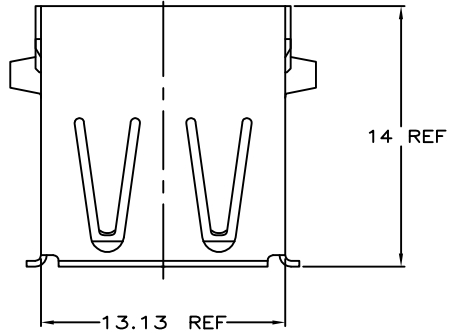
- $\Delta$  MATERIAL:  
SHELL & CONTACTS- COPPER ALLOY.  
HOUSING: UL 94V-0 RATED, THERMOPLASTIC, COLOR SEE TABLE.
- $\Delta$  PLATING:  
CONTACTS: 0.076  $\mu\text{m}$  MINIMUM GOLD OVER 0.76  $\mu\text{m}$  MINIMUM PALLADIUM-NICKEL ON MATING AREA.  
3.8  $\mu\text{m}$  MINIMUM MATTE TIN ON SOLDER TAILS.  
BOTH OVER 1.27  $\mu\text{m}$  MINIMUM NICKEL.  
CONTACT ALTERNATE PLATING: 0.76  $\mu\text{m}$  MIN GOLD ON MATING AREA, 3.80  $\mu\text{m}$  MIN MATTE TIN ON SOLDER TAILS, BOTH OVER 1.27  $\mu\text{m}$  MIN NICKEL.  
SHELL: 2~5  $\mu\text{m}$  MINIMUM BRIGHT TIN
- $\Delta$  RECOMMENDED PC BOARD THICKNESS OF 1.42.



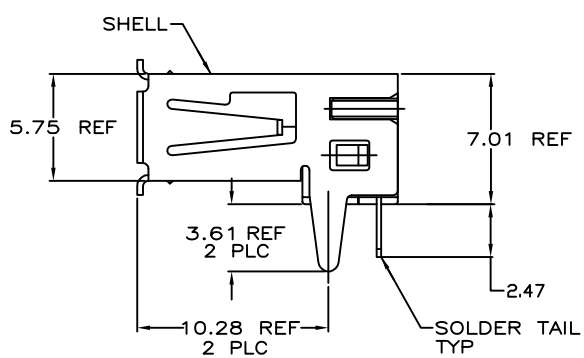
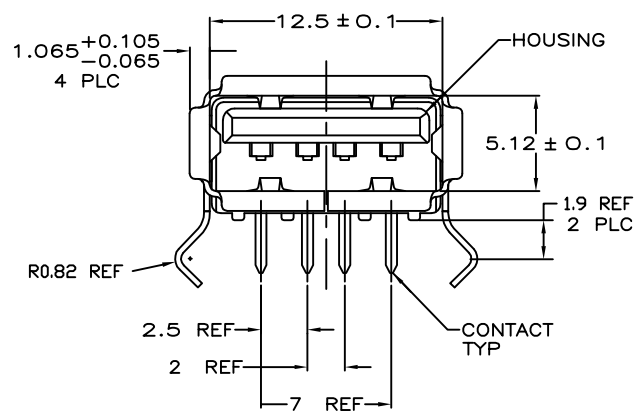
YES	BLACK	1-292303-1
YES	NATURAL	292303-7
HIGH TEMPERATURE COMPATIBLE	HOUSING COLOR	PART NUMBER

THIS DRAWING IS A CONTROLLED DOCUMENT.		DIN 19FEB04		<b>TE</b> TE Connectivity	
DIMENSIONS: mm		GJK 19FEB04			
TOLERANCES UNLESS OTHERWISE SPECIFIED:		APVD T.SASAKI 19FEB04		NAME	
0 PLC ± -		PRODUCT SPEC		RECEPTACLE ASSEMBLY RIGHT	
1 PLC ± -		108-60034		ANGLE, 4 POSITION, T/H & SMT	
2 PLC ± 0.25		APPLICATION SPEC		USB, LEAD FREE VERSION	
3 PLC ± -		SIZE		RESTRICTED TO	
4 PLC ± -		A2		-	
ANGLES		CAGE CODE		DRAWING NO	
FINISH		00779		C=292303	
MATERIAL		WEIGHT		SCALE	
1		-		5:1	
2		CUSTOMER DRAWING		SHEET 2 of 4	
				REV E8	

LOC		DIST		REVISIONS			
P	LR	DESCRIPTION	DATE	DRN	APVD		
-	-	SEE SHEET 1	-	-	-	-	-



PC BOARD MOUNTING DIMENSIONS  $\Delta$



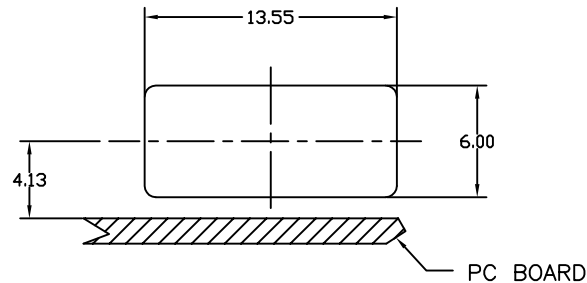
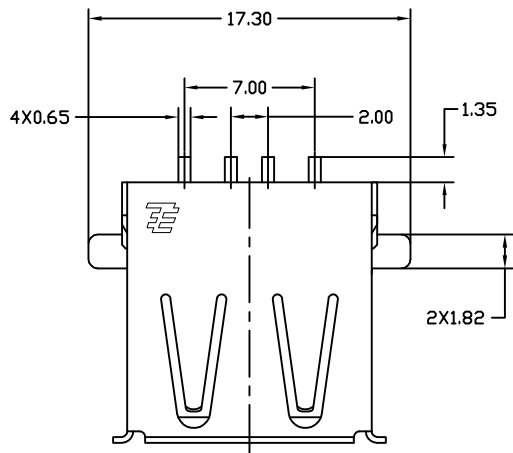
- $\Delta$  MATERIAL:  
SHELL & CONTACTS- COPPER ALLOY.  
HOUSING: UL 94V-0 RATED, THERMOPLASTIC, COLOR SEE TABLE.
- $\Delta$  PLATING:  
CONTACTS: 0.076  $\mu$ m MINIMUM GOLD OVER 0.76  $\mu$ m MINIMUM PALLADIUM-NICKEL ON MATING AREA.  
3.8  $\mu$ m MINIMUM MATTE TIN ON SOLDER TAILS.  
BOTH OVER 1.27  $\mu$ m MINIMUM NICKEL.  
CONTACT ALTERNATE PLATING: 0.76  $\mu$ m MIN GOLD ON MATING AREA, 3.80  $\mu$ m MIN MATTE TIN ON SOLDER TAILS, BOTH OVER 1.27  $\mu$ m MIN NICKEL.  
SHELL: 2~5  $\mu$ m MINIMUM BRIGHT TIN
- $\Delta$  DATUM AND BASIC DIMENSIONS ESTABLISHED BY CUSTOMER.
- $\Delta$  RECOMMENDED PC BOARD THICKNESS OF 1.2.

NO	NATURAL	292303-8
HIGH TEMPERATURE COMPATIBLE	HOUSING COLOR	PART NUMBER

THIS DRAWING IS A CONTROLLED DOCUMENT.		DRN	J.JIANG	19FEB04		TE Connectivity
		CHK	S.YAO	19FEB04		
		APVD	T.SASAKI	19FEB04	NAME	
		PRODUCT SPEC	108-60034			RECEPTACLE ASSEMBLY RIGHT
		APPLICATION SPEC				ANGLE, 4 POSITION, T/H & SMT
		WEIGHT	-			USB, LEAD FREE VERSION
		CUSTOMER DRAWING	SCALE	5:1	SHEET	3 of 4
					REV	E8

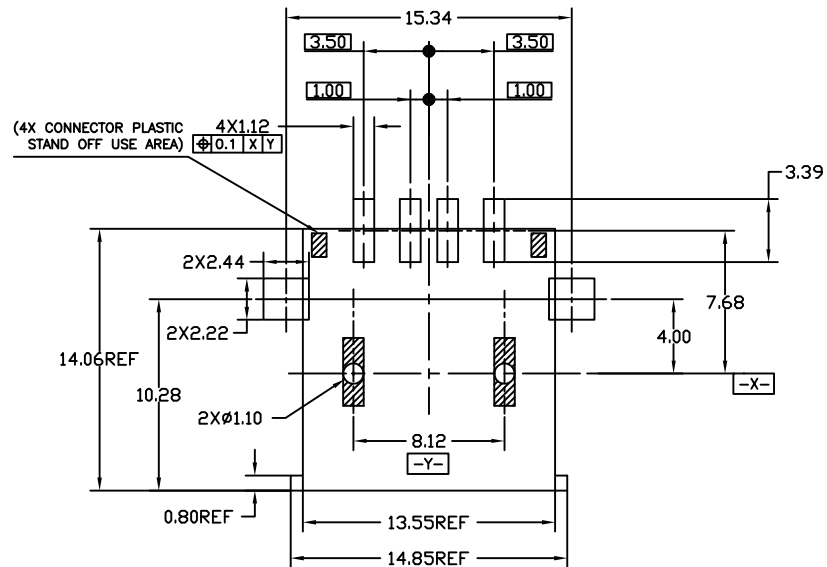
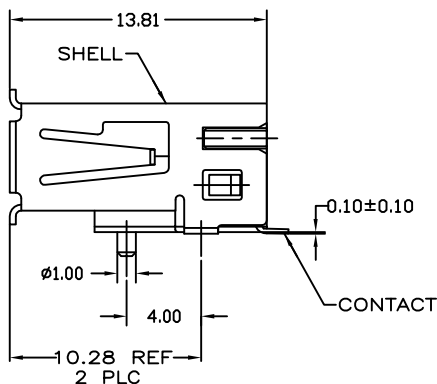
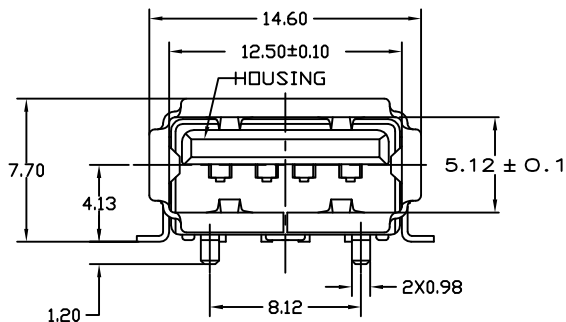
THIS DRAWING IS UNPUBLISHED. RELEASED FOR PUBLICATION  
 © COPYRIGHT - By - ALL RIGHTS RESERVED.

REVISIONS							
LOC	DIST	P	LTR	DESCRIPTION	DATE	DRN	APVD
ES	00	-	-	SEE SHEET 1	-	-	-



RECOMMENDED MOUNTING PANEL CUTOUT

- ⚠ MATERIAL:  
SHELL & CONTACTS- COPPER ALLOY.  
HOUSING: UL 94V-0 RATED, THERMOPLASTIC, COLOR SEE TABLE.
- ⚠ PLATING:  
CONTACTS: 0.076 μm MINIMUM GOLD OVER 0.76 μm MINIMUM PALLADIUM-NICKEL ON MATING AREA.  
3.8 μm MINIMUM MATTE TIN ON SOLDER TAILS.  
BOTH OVER 1.27 μm MINIMUM NICKEL.  
CONTACT ALTERNATE PLATING: 0.76 μm MIN GOLD ON MATING AREA, 3.80 μm MIN MATTE TIN ON SOLDER TAILS, BOTH OVER 1.27 μm MIN NICKEL.  
SHELL: 2~5 μm MINIMUM BRIGHT TIN
- ⚠ PANEL IS NEEDED FOR CUSTOMER.
- ⚠ THIS P/N IS PRELIMINARY.



RECOMMENDED PC BOARD MOUNTING LAYOUT (TOLERANCE=±0.05)

YES	BLACK	1-292303-6
YES	NATURAL	292303-9
HIGH TEMPERATURE COMPATIBLE	HOUSING COLOR	PART NUMBER

THIS DRAWING IS A CONTROLLED DOCUMENT.		DRN L. JIANG 19FEB04	TE Connectivity	
DIMENSIONS: mm		CHK S. YAO 19FEB04	APVD T. SASAKI 19FEB04	
TOLERANCES UNLESS OTHERWISE SPECIFIED:		NAME RECEPTACLE ASSEMBLY RIGHT ANGLE, 4 POSITION, T/H & SMT USB, LEAD FREE VERSION		
0 PLC ± - 1 PLC ± - 2 PLC ± 0.25 3 PLC ± - 4 PLC ± - ANGLES ± -		PRODUCT SPEC 108-60034		
MATERIAL		APPLICATION SPEC		RESTRICTED TO
FINISH		WEIGHT		SIZE CASE CODE DRAWING NO
CUSTOMER DRAWING		A2 00779 C=292303		SCALE 5:1 SHEET 4 of 4 REV E8